

NESCO®

Electric Food Slicer
with tilted stand



Food Slicer

Use/Care Guide
Model FS-120T

NESCO®

FS-120T FOOD SLICER

Table of Contents:

IMPORTANT SAFEGUARDS	3
SAVE THESE INSTRUCTIONS	3
DIRECTIONS FOR USE	4
CLEANING INSTRUCTIONS	4
GET TO KNOW YOUR NESCO® FOOD SLICER	5-6
WARRANTY	7
ABOUT YOUR WARRANTY AND SERVICE SATISFACTION	7

NESCO® is a registered trademark of The Metal Ware Corporation.

The Metal Ware Corporation
1700 Monroe St., P.O. Box 237
Two Rivers, WI 54241-0237
Phone: 920-793-1368
Fax: 920-793-1086

Visit our Website at <http://www.nesco.com>

©The Metal Ware Corp., 2001
Made in China. Printed in China.

IMPORTANT SAFEGUARDS

When using electrical appliances, basic safety precautions should always be followed including the following:

1. **READ ALL INSTRUCTIONS BEFORE USING THIS APPLIANCE.**
2. This appliance is designed for household use only. It is not intended for commercial use.
3. To protect against electrical shock do not immerse the Motor Assembly, including cord and plug in water or other liquids. See cleaning instructions.
4. Do not allow children to get access to this appliance. Close supervision is necessary when any appliance is used near children.
5. Unplug appliance from power outlet when not in use, before putting on or taking off parts, and before cleaning.
6. Do not operate any appliance with damaged cord or plug or after the appliance malfunctions, or has been damaged in any manner. Return appliance to NESCO Factory Service Department for examination, repair or adjustment.
7. Only use accessory attachments recommended by the manufacturer.
8. Do not use outdoors.
9. Do not let the cord hang over the edge of a table or counter, or touch hot surfaces.
10. Do not use the appliance for other than intended use.
11. The safety switch prevents accidental operation of the slicer.
12. Do not operate appliance continuously for more than 10 minutes. Allow appliance to cool down for one hour before operating again.
13. Do not use appliance to cut frozen food or bones.
14. Operate appliance only when blade-locking screw is properly engaged and tightened.
15. Handle blade carefully when cleaning, removing and inserting, as blade is extremely sharp. Do not touch sharp edge of blade.
16. Be careful, the blade continues to turn for a while after the appliance has been turned off.
17. To avoid danger of injury, always cut food with this appliance fully assembled. The feeder and food press plate must always be used.
18. Adjust supporting plate to position "0" after use and before cleaning.
19. Do not place on or near a hot gas or electric burner, or in a heated oven.

SAVE THESE INSTRUCTIONS

THIS APPLIANCE IS FOR HOUSEHOLD USE ONLY

Short Cord Instructions

CAUTION: A short power supply cord is provided to reduce the risk resulting from becoming entangled in or tripping over a longer cord. Longer extension cords are available and may be used if care is exercised in their use. If an extension cord is used, the marked electrical rating should be at least as great as the electrical rating of the appliance, and the cord should be arranged so that it will not drape over the countertop or tabletop where it can be pulled on by children or tripped over unintentionally.

Polarized Plug

As a safety feature this appliance has a polarized plug (one blade is wider than the other). To reduce the risk of electric shock, this plug is intended to fit into a polarized outlet only. If the plug does not fit fully in the outlet, reverse the plug. If it still does not fit, contact a qualified electrician. Do not attempt to defeat this safety feature.

NESCO® FS-120 Food Slicer

3

Directions For Use

1. Place food slicer (Figure 1) on a flat stable surface.
2. If appliance is being used for the first time, follow Cleaning Instructions.
3. Plug into a standard 120V AC electrical outlet.
4. Put Food Tray behind slicer below Blade to collect the sliced food.
5. Place food onto Feeder between Support Plate and Food Press Plate. To avoid danger of injury, always use Feeder and Food Press Plate while cutting.
6. Rotate Thickness Adjustment Knob to desired slicing width (Figure 3).
7. To start Blade, first slide Safety Switch from position '0' to '1' (Figure 2). While holding Safety Switch, press Pulse Switch button (using the same hand).
8. Hold the Food Press Plate with your other hand. Keep hand protected behind the Food Press Plate.
9. To begin slicing, push food in with the Food Press Plate and slide food over with the Feeder as shown in Figure 4. Slide Feeder back and repeat until you have sliced the desired amount of food.
10. When finished, release Pulse Switch button and Safety Switch and it will return to the off position.
11. For safety, always return Thickness Adjustment Knob to '0' (Figure 8) after use to shield sharp edge of blade.

Cleaning Instructions

1. Always unplug appliance before cleaning.
2. Never immerse the Motor Assembly of this appliance in water or other liquid.
3. The Blade, Food Press Plate, Feeder and Food Tray can all be hand washed in warm soapy water. Be careful when cleaning Blade, which is extremely sharp. Do not leave Blade underwater; trying to handle sharp objects in water is hazardous.
4. Set Thickness Adjustment Knob to '0'.
5. Remove Food Press Plate and Feeder by tilting off as shown in Figure 5.
6. Remove Blade as shown in Figure 6. Hold blade with one hand and use a coin to unlock Blade Locking Screw by turning it clockwise. Carefully pull blade off and hold by using the blade hole.
7. Clean outer surface of Motor Assembly and Base with damp cloth. Mild detergent or plain water can be used to dampen cloth. Never immerse Motor Assembly in water or any other liquid. Do not use steel wool, abrasive cleaners, or sharp utensils.
8. To facilitate cleaning, the Thickness Adjustment Knob can be turned past '0' as shown in Figure 7 to allow Supporting Plate to slide back – only use this feature with blade removed. After cleaning and before reassembling, push Supporting Plate forward and reset Thickness Adjustment Knob to '0' (Figure 8).
9. After cleaning and drying, install Blade and Blade Screw to Motor Assembly in reverse order of step 6 (see Figure 6). Make sure Blade Locking Screw is properly engaged and tightened. Reinstall Food Press Plate and Feeder.

Get To Know Your Nesco Food Slicer

Item	Description
1	Motor assembly
2	Blade
3	Support plate
4	Thickness adjustment knob
5	Food press plate
6	Base
7	Safety switch
8	Pulse switch
9	Power cord set
10	Feeder
11	Food tray
12	Blade locking screw

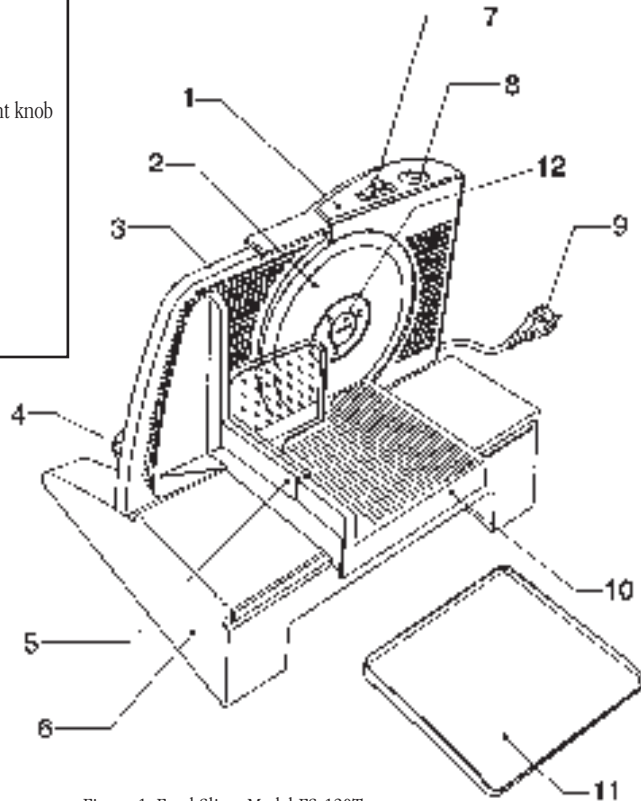


Figure 1: Food Slicer Model FS-120T

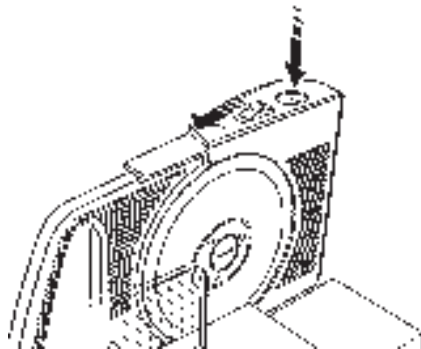


Figure 2



Figure 3

NESCO FS-120 Food Slicer

Get To Know Your Nesco Food Slicer

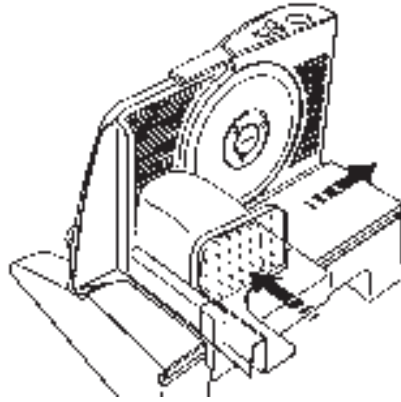


Figure 4

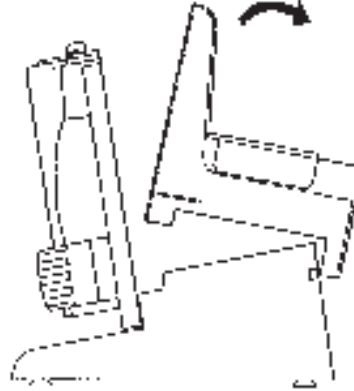


Figure 5

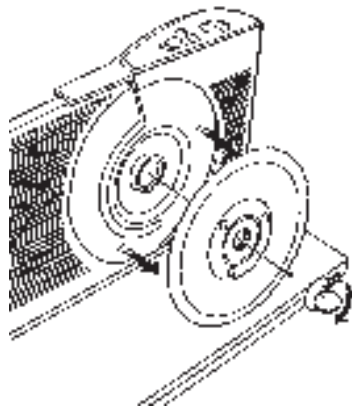


Figure 6

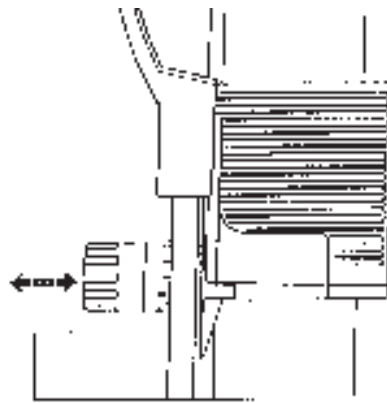


Figure 7

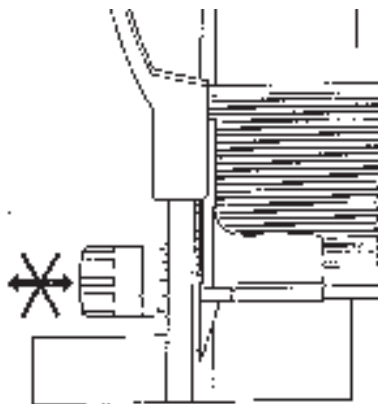


Figure 8

ONE YEAR LIMITED WARRANTY

This appliance is warranted for one year from date of original purchase against defects in material and workmanship. This warranty does not cover transportation damage, misuse, accident or similar incident. This warranty gives you specific legal rights and you may have other rights, which vary, from state to state.

Your new NESCO® Food Slicer comes equipped with numerous safety features. Any attempt to interfere with the operation of these safety features makes this warranty null and void. In the event we receive a Food Slicer for service that has been tampered with, we reserve the right to restore it to its original state and charge for the repair.

Defective products may be returned, postage prepaid, with a description of the defect to: The Metal Ware Corporation, 1700 Monroe Street, Two Rivers, Wisconsin 54241 for no charge repair or replacement at our option.

Service and genuine NESCO® replacement parts may be obtained from the NESCO® FACTORY SERVICE DEPARTMENT.

For service in warranty, follow instructions set forth in warranty. When ordering new parts, make sure that you always mention the model number of the product, which is found on the Base of the Unit.

About Your Warranty and Service Satisfaction

One simple step sets you on the road to complete customer satisfaction:

Mail in your warranty card and file your NESCO® Food Slicers Exclusive registration number now!

Your serial number and Food Slicer Model are located on the bottom of the Base.

We enter this number into our database. It registers your warranty and identifies your Food Slicer specifically by its individual code. Should you call our 800 toll free line, your registration number helps us identify your appliance and speeds up our assistance to you.

Five Easy Steps to Satisfaction

Should you have a problem with your NESCO® Food Slicer, please refer to these steps for assistance:

1. Call us on our toll free number, 1-800-288-4545 and tell us about your problem.
2. If we instruct you to send us all or part of your appliance for repair or replacement, the Customer Satisfaction representative will give you an authorization number (this number notifies our receiving department to expedite your repair). Pack your unit carefully in a sturdy carton to prevent damage because any damage caused by shipping is not covered by the warranty.
3. Print your name, address and authorization number on the carton.
4. Write a letter explaining the problem. Include the following: Your name, address, telephone number and a copy of the original bill of sale.
5. Attach the sealed envelope containing the letter inside the carton. Insure the package for the value of the NESCO® Food Slicer and ship prepaid to:

**The Metal Ware Corporation
1700 Monroe Street
Two Rivers, WI 54241**

*Customer
Satisfaction*™ 

1-800-288-4545

NESCO®