

# 7 Tray Stainless Steel Digital Dehydrator

## Care and Use Guide

**Déshydrateur Numérique En Acier Inoxydable À 7 Plateaux**  
Guide de L'utilisateur et D'entretien



# NESCO®

**Your Key Ingredient For Food Preservation™**

# NESCO® Your Key Ingredient For Food Preservation™



Thank you for purchasing a NESCO dehydrator. There is nothing better than knowing you are making healthy food for you and your family. We have been building dehydrators and accessories for many years and are excited to share our knowledge and welcome more enthusiasts to the world of food preservation.

## Questions?

NESCO Customer Service is available  
8 am to 4 pm CST.

Email: [nescocs@nesco.com](mailto:nescocs@nesco.com)  
Phone: 1-800-288-4545



## Warranty/Registration

Please see warranty info included on  
the package and in this guide.  
This guide is available at [Nesco.com](http://Nesco.com)



## Returns

Please do not return this item to the  
place of purchase. If you are missing  
any parts or need assistance, contact  
NESCO Customer Service.

## Table of Contents

Important Safeguards.....	1
Before First Use.....	2
Overview of Components.....	3
Control Panel Functions.....	3
Operating Instructions.....	4
Dehydrating Tips.....	5-7
Care and Cleaning.....	7
Fruit Drying Guide .....	8
Vegetable Drying Guide.....	9
One Year Limited Warranty.....	10

## Table des Matières

Importantes Précautions.....	12
Avant La Première Utilisation.....	13
Vue D'ensemble Des Pièces.....	14
Fonctions Du Panneau.....	14
Instruction D'opérations.....	15
Astuces Déshydrateur.....	16-18
Conseils D'entretien Et De.....	18
Guide De Séchage Des Fruits.....	19
Guide De Séchage Des Légumes.....	20
Garantie Limitée D'un An.....	21

"NESCO" is a registered trademark of The Metal Ware Corp

Specifications:  
Model: NESCO 7 Tray Stainless Steel Digital Dehydrator  
Input - 120Volts / 60HZ / 600Watts

Visit us at  
**nesco.com**

Follow us on



#YourKeyIngredient

# IMPORTANT SAFEGUARDS

This product is designed for HOUSEHOLD USE ONLY

When using any electrical appliance, basic safety precautions should always be observed including the following:

**1. READ ALL INSTRUCTIONS.**

2. Do not touch hot surfaces.
3. To protect against electrical hazards, do not immerse power unit or any part of the dehydrator cord or plug in water or other liquid.
4. Close supervision is necessary when any appliance is used by or near children.
5. Unplug from outlet when not in use and before cleaning. Allow the unit to cool before putting on or taking off parts.
6. Do not operate any appliance with a damaged cord or plug, or after the appliance malfunctions, or has been damaged in any manner.
7. The use of accessory attachments is not recommended by the appliance manufacturer; may cause hazards.
8. Sharp utensils should not be used inside the dehydrator.
9. Do not let cord hang over edge of table or counter, or touch hot surfaces.
10. Do not use outdoors. Always dehydrate indoors on a flat surface to allow sufficient airflow. Never place base on carpet, towel, newspaper, etc., which can block airflow to the bottom of base and cause failure. Never cover entire unit with anything, as that will cause failure. The dehydrator needs an open, breathable space to function properly.
11. Do not place on or near a gas or electric burner. Do not place on top of a glass top stove or inside an oven.
12. Do not use this appliance for other than its intended use.
13. This appliance is not intended for use by persons (including children) with reduced physical, sensory or mental capabilities, or lack of experience and knowledge, unless they have been given supervision or instruction concerning use of the appliance by a person responsible for their safety.

## SAVE THESE INSTRUCTIONS

**Short Cord Instructions:**

A short power supply cord is provided to reduce the risk resulting from becoming entangled in or tripping over a longer cord. Longer detachable power-supply cords or extension cords are available and may be used if care is exercised in their use. If a longer detachable power-supply cord or extension cord is used: 1) The marked electrical rating of the cord set or extension cord should be at least as great as the electrical rating of the appliance; 2) If the appliance is the grounded 3-prong type plug, the extension cord should also be a ground 3-prong plug; 3) The cord should be arranged so that it will not drape over the countertop or tabletop where it can be pulled on by children or tripped over unintentionally.

# Before First Use

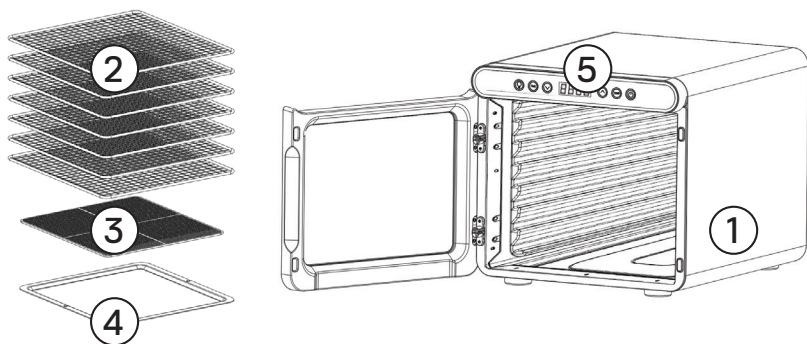
1. Read and follow all instructions and save this care and use guide for future reference.
2. Remove all packaging and labels. Make sure all components are included.
3. Before using your dehydrator the first time, wash the steel mesh trays, plastic mesh sheet, and plastic drip tray in warm, soapy water. Rinse, dry, and set aside. The steel mesh trays are dishwasher safe.  
**CAUTION:** Do not place the dehydrator base in water or in the dishwasher. **DO NOT IMMERSE IN ANY LIQUID.**
4. It is necessary to run the dehydrator the first time without any food. This first operation is to remove any residue left after the manufacturing process. You may notice some odor or light smoke, this is normal and will quickly dissipate. **NOTE:** You will only need to do this the first time you use the dehydrator.
  - a. Place dehydrator on a stable, level, heat-resistant surface. Leave at least 6 inches of free space around the entire appliance.
  - b. To start the dehydrator, press the power button twice. The dehydrator will start and run at the factory default setting. Run the dehydrator for 30 minutes. To stop the dehydrator, press the power button once and the dehydrator will go into standby mode.
  - c. When complete, unplug dehydrator from electrical outlet and allow to cool.
  - d. Wipe inside of dehydrator base with moistened cloth.
5. Your appliance is now ready to dehydrate food.

For additional product information, please reference:

<https://www.nesco.com/product/7-tray-stainless-steel-digital-dehydrator/>

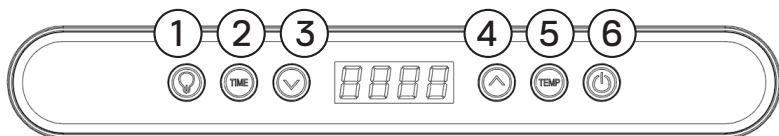


# Overview of Components



1. Dehydrator Base
2. Steel Mesh Drying Trays (7)
3. Plastic Mesh Sheet
4. Plastic Drip Tray
5. Control Panel

# Control Panel Functions



1. Interior Light
2. Time Selection (01:00-24:00 Hours)
3. Decrease Time/Temp
4. Increase Time/Temp
5. Temperature Selection (90-160°F)
6. Power/Standby

# Operating Instructions

1. Place dehydrator in a warm, dry room on a stable, level, heat-resistant surface. Leave at least 6 inches of free space around the entire appliance.
2. Place food onto the trays and load trays into the dehydrator. Avoid overloading trays or overlapping food. Close dehydrator door.
3. Plug appliance into a 120-volt power source. The entire control panel will illuminate for 3 seconds and then turn off except for the POWER button which will remain illuminated while the dehydrator is in standby mode. The dehydrator will remain in standby mode while it is plugged in.
4. Press the power button to activate dehydrator. All control panel functions will illuminate for 3 seconds after which the arrow buttons will turn off. TIME, TEMPERATURE, POWER and interior light buttons will remain illuminated.
5. To set the time, press the TIME button. The display will flash countdown time and the increase and decrease arrow buttons will illuminate. If the arrow buttons are not pressed within 3 seconds, they will become inactive. To reactivate, simply press the TIME button again and enter in the countdown time desired. Pressing either arrow button will result in a 30-minute increment adjustment. To adjust the time faster, press either arrow button for more than 1 second. After desired countdown time is set, the time display will stop flashing and the arrow buttons will turn off. The countdown time range for this dehydrator is from 1 hour to 24 hours.
6. To set the temperature, press the TEMP button. The display will flash the current temperature setting and the increase and decrease arrow buttons will illuminate. If the arrow buttons are not pressed within 3 seconds, they will become inactive. To reactivate, simply press the TEMP button again and select the drying temperature desired. Note, pressing either arrow button will result in an adjustment in 5° increments. After desired temperature is set, the display will stop flashing and the arrow buttons will turn off. The temperature range for this dehydrator is from 90°F to 160°F.
7. After the time and temperature are set, press the POWER button to start dehydrator's programmed drying cycle, the fan and heater will turn on. The display shows the amount of time left during the countdown cycle.  
**NOTE:** You can change the time and temperature at any time by pressing TEMP/TIME.
8. After the display has counted down to 00:00, the fan will continue to run for an additional 10 seconds and then turn off. The display will also go into a standby mode only leaving the POWER button illuminated.
9. Unplug the dehydrator. To remove trays, use a kitchen towel, heat-resistant glove, or oven mitt to handle them.
10. For final clean-up, reference the Care and Cleaning of this manual.

**NOTE:** If you press the POWER button during operation, the dehydrator will turn off and go into standby mode. The dehydrator will always save your previous temperature and time settings. To restart the dehydrator, press the POWER button, confirm the time and temperature, then press the POWER button again.

# Dehydrating Tips

## Loading Trays

Lay food pieces evenly on trays. Don't overlap food pieces, as this will create uneven drying conditions. As each tray is loaded, place it in the dehydrator to begin drying. Meat should be frozen or refrigerated until it's ready to be used. Do not allow raw meat to come in contact with the finished product. If marinating meat for jerky, always marinate in the refrigerator.

## Drying Time

Drying times may vary, depending on the type and amount of food, thickness and evenness of the slices, percentages of water in the food, humidity, and temperature of air.

## Storage

Dried food should be stored in airtight, moisture-proof containers or vacuum sealed bags in a cool, dry place. Dehydrated food will naturally have less moisture in it than the air around it and will absorb moisture if left out for an extended period of time. Refrigeration or freezing will extend shelf life as long as food remains properly packaged.

## Jerky

1. While there are many jerky recipes, we recommend using a prepackaged jerky seasoning and cure kit. NESCO offers a wide variety of flavors and quantities for a fast and easy way to make jerky. Simply follow the instructions with the kit.

Jerky can be made from slicing strips of meat from a larger piece of meat or can be made from ground meat.

If slicing strips from a whole meat, make sure to place the meat in the freezer until it is slightly hard to the touch but not frozen. This will help it slice more evenly. For best results, slice into 1/4" thick slices. Marinate the meat with seasoning of your choice and refrigerate.

If using ground meat, mix in seasoning and cure. Insert mix into a jerky gun, choose strips or sticks attachment, form strips or sticks to your desired length on the dehydrator tray.

2. Make sure strips or sticks are not overlapping or touching each other. Jerky typically takes 4-8 hours to dry based on thickness, moisture content, and amount of jerky being dehydrated.
3. When done drying, remove jerky from trays and let rest for approximately 30 minutes. Use paper towels to blot excess oil or fat from the jerky.
4. Store finished jerky in an airtight, moisture-proof container or vacuum sealed bag in a cool, dry place. To store jerky for more than a month, store in refrigerator or freezer.

# Dehydrating Tips

## Fruits

1. Wash fruit thoroughly in cold water to preserve freshness.
2. Fruits with a skin will need to have the skin punctured to allow moisture to escape. You can puncture the skin by halving, slicing, pitting, or blanching (dipping in boiling water just long enough to crack the skins).
3. Pretreat cut fruits that tend to brown in ascorbic acid or a mixture of lemon juice and water with a 1:1 ratio. Pineapple juice may be used in place of lemon juice.
4. Place fruit in a single layer. Do not overlap.
5. Reference fruit drying guidelines chart on page 8 for drying times.
6. Dried fruit should be stored in a sealed container or vacuumed sealed bag or canister. Store in a cool, dry place, preferably below 60° F , away from direct light. Do not store fruit in metal containers as it may give an unpleasant flavor to the fruit.

## Herbs

1. Wash herbs in cool water to remove any dirt.
2. Lightly dry them off and place them on the dehydrator trays.
3. Drying times for herbs vary from 1 to 8 hours based thickness, quantity, and temperature setting.
4. Herbs are considered dry when they easily crumble.
5. Once herbs are dried to your liking allow to cool for 30 minutes.
6. Store dried herbs in an airtight, moisture-proof container or vacuum sealed bag. Exposure to air and light will result in loss of flavor. Store in a cool, dry place, preferably below 60° F.

### TEMPERATURE SUGGESTIONS:

Herbs	95-120°F
Vegetables	120-130°F
Fruits	130-140°F
Meat, Fish	145-160°F



# Dehydrating Tips

## Vegetables

1. Thoroughly wash your vegetables to remove any dirt. Peel the vegetable, if desired, and slice it into even sizes so that they dry at the same rate.
2. Pretreatment is necessary for all vegetables in order to neutralize their natural enzymes. Specifically, steam blanching is the preferred method.
3. Bring a large pot that is filled 75% with water to a boil. Place your vegetables in a colander or basket and place carefully in the pot ensuring that there is a small gap for the steam to enter and cover with a lid. See vegetable drying guidelines chart on page 9.
4. When you are done blanching, place the vegetables in cold water to cool them off.
5. Remove vegetables from the water and dry them.
6. Place them in a single layer on the dehydrator trays making sure they are not touching or overlapping.
7. To determine if your vegetables are done drying, take out a few pieces from different trays in the dehydrator. If you cannot break the vegetable in half with little effort, place them back in the dehydrator for more time. Repeat the process until finished.
8. Once the vegetables are dried to your liking, allow to cool for 30 minutes.
9. Store in a sealed container or vacuum sealed bag in a cool, dry place away from direct light, preferably below 60° F.

## Care and Cleaning

1. Before cleaning, the dehydrator must be disconnected from the power supply and cooled thoroughly.
2. Use a soft damp cloth to wipe inside the dehydrator. **DO NOT** use metal scouring pads, abrasive cleaners or harsh chemicals to clean your dehydrator as these could damage the appliance. **NEVER IMMERSE THE BASE IN WATER OR ANY OTHER LIQUID.**
3. The mesh sheet, drip tray, and drying trays should be washed in warm, soapy water, rinsed and dried thoroughly. Do not soak with detergent or similar cleaners. Drying trays can be washed on top rack of dishwasher. **DO NOT** wash the mesh sheet or drip tray in a dishwasher.
4. Ensure that all the parts are completely cooled, clean, and dry before storing the dehydrator.

# Fruit Drying Guide

Humidity, temperature, moisture content of food, and thickness of slices will impact drying times. The drying times stated are only a guide.

**\*Pretreatment - Use ascorbic acid or lemon juice mixture to prevent fruit from browning.**

Fruit	Preparation	*Pretreatment Necessary	Average Drying Time
Apples	Peel, if needed. Core and slice, 1/8" to 1/4" thick.	<b>Yes</b>	2-9 hours
Apricots	Slice in half, remove pit, and cut in 3/8" slices.	<b>Yes</b>	8-16 hours
Bananas	Peel and cut into 1/4" to 3/8" slices.	<b>Yes</b>	6-8 hours
Blueberries	Remove stem. Puncture skin or blanch.	No	9-17 hours
Cherries	Remove pit and stem. Cut, chop or leave whole.	No	15-23 hours
Cranberries	Remove stem. Puncture skin or blanch.	No	10-18 hours
Figs	Cut in half or leave whole. If whole, puncture skin or blanch.	No	8-15 hours
Grapes	Cut in half or leave whole. If whole, puncture skin or blanch.	No	13-21 hours
Kiwi	Peel and cut into 1/4" to 1/2" thick slices.	No	2-6 hours
Nectarines	Cut and remove pit. Quarter or slice 3/8" thick.	<b>Yes</b>	5-10 hours (slices) 8-16 hours (halves or quarters)
Peaches	Peel if needed. Remove pit. Quarter or slice to 3/8" thick.	<b>Yes</b>	4-10 hours (slices) 8-16 hours (halves or quarters)
Pears	Peel, core and slice 1/8" thick.	<b>Yes</b>	5-13 hours
Pineapple	Peel, core and slice 3/8" thick.	No	4-12 hours
Prunes/ Plums	Quarter or halve and discard pit.	No	8-15 hours
Rhubarb	Trim and throw away leaves. Cut into 1/8" slices.	No	4-9 hours
Strawberries	Remove top. Slice 3/8" thick.	No	4-12 hours

# Vegetable Drying Guide

Humidity, temperature, moisture content of food, and thickness of slices will impact drying times. The drying times stated are only a guide.

**\*Pretreatment - Follow blanching instructions on page 7.**

Vegetable	Preparation	Steam Blanching Time	Average Drying Time
Asparagus	Cut in 3/4" to 1" pieces.	3-5 minutes	4-8 hours
Beets	Cook until tender, peel, cut into 1/4" thick slices.	N/A	2-7 hours
Broccoli	Cut in 1/2" to 1" pieces.	2-2½ minutes	2-8 hours
Carrots	Peel and cut off end, dice into 1/4" slices.	2-2½ minutes	2-8 hours
Cauliflower	Cut in 1/2" to 1" pieces.	3-6 minutes	3-8 hours
Celery	Trim edges. Cut into 3/8" slices.	3 minutes	3-5 hours
Corn	Cut corn from cob and blanch.	1-1½ minutes	5-11 hours
Green/Wax Beans	Take off ends and strings. Cut in 3/4" to 1" pieces.	3-3½ minutes	4-11 hours
Mushrooms	Slice 1/2" thick.	N/A	3-7 hours
Onions	Peel outer skin. Cut off top and ends. Cut into 3/8" slices.	N/A	3-7 hours
Peas	Remove peas from shell.	4 minutes	3-9 hours
Peppers and Pimientos	Remove core, stem, and inner partitions. Cut into 1/8" strips.	N/A	4-10 hours
Potatoes	Peel and cut into 1/8" slices.	5-9 minutes	2-8 hours
Summer Squash	Remove ends. Cut into 3/8" slices.	3½-4 minutes	2-6 hours
Tomatoes	Peel, if needed. Cut into slices 1/2" wide.	N/A	4-11 hours
Zucchini	Remove ends. Cut into 3/8" slices.	3½-4 minutes	2-6 hours

# One Year Limited Warranty

The Metal Ware Corporation warrants the original purchaser that your product will be free from defects in material and workmanship for a period of one year from date of purchase. Product must be used for personal or sole household usage in accordance with the instructions. Should your product prove defective within one year from date of purchase, contact our customer service team at 1-800-288-4545 or email at [nescocs@nesco.com](mailto:nescocs@nesco.com) with an explanation of the claim. If a viable warranty claim is determined, a customer service member will provide you with the necessary details to have your unit replaced. Under this limited time warranty, we undertake to replace any parts found to be defective at our sole discretion. This limited time warranty is void if the unit is connected to an unsuitable electrical supply or dismantled or interfered with in any way or damaged through misuse. This warranty is not transferable.

**LIMITATION OF REMEDIES AND DAMAGES:** Except for the limited time warranty and remedies expressly stated above, the Metal Ware Corp shall not be liable to you, or to anyone claiming by or through you, for any obligations or liabilities, including, but not limited to, obligations or liabilities arising out of breach of contract, breach of warranty, statutory claims, negligence or other tort or any theory of strict liability, with respect to the product or the Metal Ware Corp's acts or omissions or otherwise. Buyer agrees that in no event shall the Metal Ware Corp be liable for incidental, compensatory, punitive, consequential, indirect, special or other damages. Warranty does not cover consequential or incidental damages such as property damage and does not cover incidental costs and expenses resulting from any breach of this warranty, even if foreseeable. Some states or provinces do not allow the exclusion or limitations of incidental or consequential damages, so the above limitation or exclusion may not apply to you depending on the state or province of purchase.

Register your product on our website:

<https://www.nesco.com/customer-service/warranty-registration>  
or fill in your warranty card and return it within one week  
from date of purchase along with a copy of proof of purchase.

Send warranty card to:

**The Metal Ware Corp**

**NESCO FD-7SSD Series / 7 Tray Stainless Steel Digital Dehydrator**

**PO Box 237**

**Two Rivers, WI 54241-0237**

# NESCO® Your Key Ingredient For Food Preservation™



*Merci d'avoir acheté un déshydrateur NESCO. Il n'y a rien de mieux que de savoir vous pouvez préparer des aliments sains pour vous et votre famille. Nous fabriquons des déshydrateurs et des accessoires depuis de nombreuses années. Nous sommes ravis de partager nos connaissances et d'accueillir plus de passionnés dans le monde de la conservation des aliments.*

## Des Questions?

Le service client NESCO est disponible  
8 h à 16 h CST.

Email: [nescocs@nescocom](mailto:nescocs@nescocom)  
Phone: 1-800-288-4545



## Garantie/Enregistrement

Veuillez consulter les informations de  
garantie incluses sur  
emballage et dans ce manuel.  
Ce manuel est disponible sur [Nesco.com](http://Nesco.com)



## Retour

Veuillez ne pas retourner cet article au  
lieu d'achat. S'il vous manque des pièces  
ou si vous avez besoin d'aide, contactez  
le service client NESCO.

## Table of Contents

Important Safeguards.....	1
Before First Use.....	2
Overview of Components.....	3
Control Panel Functions.....	3
Operating Instructions.....	4
Dehydrating Tips.....	5-7
Care and Cleaning.....	7
Fruit Drying Guide .....	8
Vegetable Drying Guide.....	9
One Year Limited Warranty.....	10

## Table des Matières

Importantes Précautions.....	12
Avant La Première Utilisation.....	13
Vue D'ensemble Des Pièces.....	14
Fonctions Du Panneau.....	14
Instruction D'opérations.....	15
Astuces Déshydrateur.....	16-18
Conseils D'entretien Et De.....	18
Guide De Séchage Des Fruits.....	19
Guide De Séchage Des Légumes.....	20
Garantie Limitée D'un An.....	21

"NESCO" est une marque de commerce enregistrée  
de la société The Metal Ware Corp

Caractéristiques:

Modèle: Déshydrateur Numérique En Acier

Inoxydable À 7 Plateaux

Entrée de Puissance - 120Volts / 60HZ / 600Watts

Visit us at  
**nesco.com**

Follow us on



**#YourKeyIngredient**

# IMPORTANTES PRÉCAUTIONS

Ce produit est destiné **UNIQUEMENT À UN USAGE DOMESTIQUE**

Lors de l'utilisation d'un appareil électrique, les précautions de sécurité de base doivent toujours être observées, et inclus les suivantes :

- 1. LISEZ TOUTES LES INSTRUCTIONS.**
2. Ne touchez pas les surfaces chaudes.
3. Pour vous protéger contre les risques électriques, n'immergez pas l'alimentation ou toute partie du cordon ou de la fiche du déshydrateur dans l'eau ou tout autre liquide.
4. Une surveillance étroite est nécessaire lorsqu'un appareil est utilisé par ou à proximité d'enfants.
5. Débranchez de la prise lorsqu'il n'est pas utilisé et avant de le nettoyer. Laissez l'appareil refroidir avant d'installer ou d'enlever des pièces.
6. N'utilisez aucun appareil avec un cordon ou une prise endommagés, ou après que l'appareil fonctionne mal ou a été endommagé de quelque façon que ce soit.
7. L'utilisation d'accessoires non recommandés par le fabricant de l'appareil peut entraîner des dangers.
8. Les ustensiles tranchants ne doivent pas être utilisés à l'intérieur du déshydrateur.
9. Ne laissez pas le cordon pendre du bord de la table ou du comptoir, ou toucher des surfaces chaudes.
10. Ne pas utiliser à l'extérieur. Toujours déshydrater à l'intérieur sur une surface plane pour permettre une circulation d'air suffisante. Ne placez jamais la base sur un tapis, une serviette, un journal, etc., car cela pourrait bloquer le flux d'air vers le bas de la base et provoquer une panne. Ne couvrez jamais l'ensemble de l'unité avec quoi que ce soit car cela entraînerait une panne. Le déshydrateur a besoin d'un espace ouvert et respirant pour fonctionner correctement.
11. Ne pas placer sur ou à proximité d'un brûleur à gaz ou électrique. Ne pas placer sur une plaque de cuisson en verre ou à l'intérieur d'un four.
12. N'utilisez pas cet appareil à des fins autres que celles pour lesquelles il est destiné.
13. Cet appareil n'est pas destiné à être utilisé par des personnes (y compris des enfants) ayant des capacités physiques, sensorielles ou mentales réduites, ou un manque d'expérience et de connaissances, à moins qu'elles ne soient supervisées. ou des instructions concernant l'utilisation de l'appareil par une personne responsable de leur sécurité.

## CONSERVER CES DIRECTIVES

### Instructions pour le cordon court:

Un cordon d'alimentation court est fourni pour réduire le risque de s'emmêler ou de trébucher sur un cordon plus long. Des cordons d'alimentation ou des rallonges amovibles plus longs sont disponibles et peuvent être utilisés si l'on fait preuve de prudence lors de leur utilisation. Si un cordon d'alimentation ou une rallonge détachable plus long est utilisé : 1) La puissance électrique marquée du cordon ou de la rallonge doit être au moins aussi élevée que la puissance électrique de l'appareil ; 2) Si l'appareil est une fiche à 3 broches avec mise à la terre, la rallonge doit également être une fiche à 3 broches avec mise à la terre ; 3) Le cordon doit être disposé de sorte qu'il ne pende pas sur le comptoir ou la table où il pourrait être tiré par des enfants ou trébuché par inadvertance.

# Avant La Première Utilisation

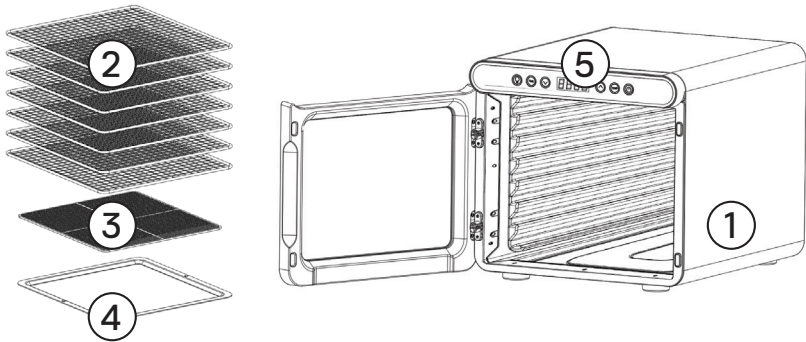
1. Lisez et suivez toutes les instructions et conservez le Guide d'utilisation et d'entretien pour référence future.
2. Retirez tous les emballages et étiquettes. Assurez-vous que tous les composants sont inclus.
3. Avant d'utiliser votre déshydrateur pour la première fois, lavez les plateaux grillagés en acier, feuille de filet en plastique et bac d'égouttage en plastique dans de l'eau chaude savonneuse. Rincez, séchez, et mettez de côté. Les plateaux en maille d'acier vont au lave-vaisselle.  
**ATTENTION:** Ne mettez pas la base du déshydrateur dans l'eau ou au lave-vaisselle. NE PAS IMMERGER DANS AUCUN LIQUIDE.
4. Il est nécessaire de faire fonctionner le déshydrateur la première fois sans aucun aliment. Cette première opération consiste à éliminer tout résidu laissé après le processus de fabrication. Tu peut remarquer une odeur ou une légère fumée, ceci est normal et disparaît rapidement à dissiper.  
**REMARQUE:** vous n'aurez besoin de le faire que la première fois que vous utiliserez le déshydrateur.
  - a. Placez le déshydrateur sur une surface stable, plane et résistante à la chaleur. Laissez au moins 6 pouces d'espace libre autour de l'ensemble de l'appareil.
  - b. Pour démarrer le déshydrateur, appuyez deux fois sur le bouton d'alimentation. Le déshydrateur démarrera et fonctionnera selon le réglage d'usine par défaut. Faites fonctionner le déshydrateur pendant 30 minutes. Pour éteindre le déshydrateur, appuyez une fois sur le bouton d'alimentation et le déshydrateur passera en mode veille.
  - c. Lorsque vous avez terminé, débranchez le déshydrateur de la prise électrique et laissez-le refroidir.
  - d. Essuyez l'intérieur de la base du déshydrateur avec un chiffon humide.
5. Votre appareil est maintenant prêt à déshydrater les aliments.

Pour plus d'informations sur le produit, veuillez consulter:

<https://www.nesco.com/product/7-tray-stainless-steel-digital-dehydrator/>

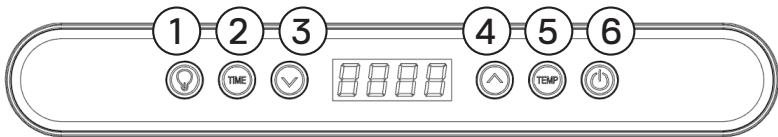


## Vue D'Ensemble Des Pièces



1. Base du déshydrateur
2. Plateaux de séchage en maille d'acier (7)
3. Feuille de maille en plastique
4. Bac d'égouttage en plastique
5. Panneau de commande

## Fonctions Panneau De



1. Lumière intérieure
2. Sélection de l'heure (01:00-24:00 Heures)
3. Diminution du temps/réglage de la température
4. Augmenter le réglage du temps/température
5. Sélection de la température (90-160°F)
6. Marche/Veille



# Instruction D'Opérations

1. Placez le déshydrateur dans une pièce chaude et sèche sur une surface stable, plane et résistante à la chaleur. Laissez au moins 6 pouces d'espace libre autour de l'ensemble de l'appareil.
2. Placez les aliments sur des plateaux et chargez les plateaux dans le déshydrateur. Éviter de surcharge des plateaux ou chevauchement des aliments. Fermez la porte du déshydrateur.
3. Branchez l'appareil sur une source d'alimentation de 120 volts. L'ensemble du panneau de commande s'allumera pendant 3 secondes puis s'éteindra, à l'exception du bouton POWER qui restera allumé pendant que le déshydrateur est en mode veille. Le déshydrateur restera en mode veille tant qu'il sera branché.
4. Appuyez sur le bouton d'alimentation pour activer le déshydrateur. Toutes les fonctions du panneau de commande s'activeront pendant 3 secondes, après quoi les boutons fléchés s'éteindront. Les boutons TIME, TEMPERATURE, POWER et éclairage intérieur resteront allumés.
5. Pour régler l'heure, appuyez sur le bouton TIME. L'affichage clignote pendant le compte à rebours et les boutons fléchés vers le haut et vers le bas s'allument. Si les touches fléchées ne sont pas enfoncées dans les 3 secondes, elles deviendront inactives. Pour réactiver, appuyez simplement à nouveau sur le bouton TIME et entrez le temps de compte à rebours souhaité. Appuyer sur l'un ou l'autre des boutons fléchés entraînera un ajustement par incréments de 30 minutes. Pour régler l'heure plus rapidement, appuyez sur l'un des boutons fléchés pendant plus d'une seconde. Une fois le compte à rebours souhaité réglé, l'affichage de l'heure arrête de clignoter et les boutons fléchés s'éteignent. La plage de temps de compte à rebours pour ce déshydrateur est de 1 heure à 24 heures.
6. Pour régler la température, appuyez sur le bouton TEMP. L'affichage fera clignoter le réglage de température actuel et les boutons fléchés d'augmentation et de diminution s'allumeront. Si les touches fléchées ne sont pas enfoncées dans les 3 secondes, elles deviendront inactives. Pour réactiver, appuyez simplement à nouveau sur le bouton TEMP et sélectionnez la température de séchage souhaitée. Notez qu'appuyer sur l'un ou l'autre des boutons fléchés entraînera un ajustement par incréments de 5°. Après avoir souhaité température est réglée, l'affichage arrête de clignoter et les touches fléchées éteindre. La plage de température de ce déshydrateur est de 90°F à 160°F.
7. Une fois l'heure et la température réglées, appuyez sur le bouton POWER pour démarrer le cycle de séchage programmé du déshydrateur, le ventilateur et le chauffage s'allumeront. L'écran affiche le temps restant pendant le cycle de compte à rebours.  
**REMARQUE:** Vous pouvez modifier l'heure et la température à tout moment en appuyant sur TEMP/TIME.
8. Une fois que l'affichage a décompté jusqu'à 00:00, le ventilateur continue de fonctionner pendant 10 secondes supplémentaires, puis s'éteint. L'écran passera également en mode veille en ne laissant que le bouton POWER allumé.
9. Débranchez le déshydrateur. Pour retirer les plateaux, utilisez un torchon, un gant résistant à la chaleur ou un gant de cuisine pour les manipuler.
10. Pour le nettoyage final, reportez-vous à la section Entretien et nettoyage de ce manuel.

**REMARQUE:** Si vous appuyez sur le bouton POWER pendant le fonctionnement, le déshydrateur éteint et passer en mode veille. Le déshydrateur sauvera toujours votre paramètres de température et de temps précédents. Pour redémarrer le déshydrateur, appuyez sur appuyez sur le bouton POWER, confirmez l'heure et la température, puis appuyez à nouveau sur le bouton POWER.

# Astuces Déshydrateur

## Chargement Des Plateaux

Disposez les morceaux de nourriture uniformément sur les plateaux. Ne superposez pas les morceaux d'aliments, car cela créerait des conditions de séchage inégales. Au fur et à mesure que chaque plateau est chargé, placez-le dans le déshydrateur pour commencer le séchage. La viande doit être congelée ou réfrigérée jusqu'à ce qu'elle soit prête à être utilisée. Ne laissez pas la viande crue entrer en contact avec le produit fini. Si vous faites mariner de la viande pour du jerky, faites toujours mariner au réfrigérateur.

## Temps De Séchage

Les temps de séchage peuvent varier en fonction du type et de la quantité d'aliments, de l'épaisseur et de l'uniformité des tranches, des pourcentages d'eau dans les aliments, de l'humidité et de la température de l'air.

## Stockage

Les aliments séchés doivent être conservés dans des récipients hermétiques et étanches à l'humidité ou dans des sacs scellés sous vide dans un endroit frais et sec. Les aliments déshydratés auront naturellement moins l'humidité qu'il contient que l'air qui l'entoure et absorbera l'humidité si elle est laissée à l'extérieur pendant une période de temps prolongée. La réfrigération ou la congélation prolongeront la durée de conservation tant que les aliments restent correctement emballés.

## Saccadé

1. Bien qu'il existe de nombreuses recettes de viande séchée, nous vous recommandons d'utiliser un kit d'assaisonnement et de cure de viande séchée préemballé. NESCO propose une grande variété de saveurs et de quantités pour un moyen rapide et facile de faire du jerky. Suivez simplement les instructions avec le kit.

Le jerky peut être fabriqué à partir de tranches de viande à partir d'un plus gros morceau de viande ou peut être fabriqué à partir de viande hachée.

Si vous tranchez des lanières d'une viande entière, assurez-vous de placer la viande dans le congélateur jusqu'à ce qu'il soit légèrement dur au toucher mais pas gelé. Cela l'aidera à trancher plus uniformément. Pour de meilleurs résultats, couper en tranches de 1/4 po d'épaisseur. Faire mariner la viande avec l'assaisonnement de votre choix et réfrigérer.

Si vous utilisez de la viande hachée, mélangez l'assaisonnement et salez. Insérer le mélange dans un jerky pistolet, choisissez des bandes ou des bâtons de fixation, formez des bandes ou des bâtons à votre longueur désirée sur le plateau du déshydrateur.

2. Assurez-vous que les bandes ou les bâtons ne se chevauchent pas ou ne se touchent pas. La viande séchée prend généralement 4 à 8 heures pour sécher en fonction de l'épaisseur, de la teneur en humidité et de la quantité de viande séchée déshydratée.
3. Une fois le séchage terminé, retirez le jerky des plateaux et laissez reposer environ 30 minutes. Utilisez des serviettes en papier pour éponger l'excès d'huile ou de graisse de la viande séchée.
4. Conservez la viande séchée finie dans un récipient hermétique et étanche à l'humidité ou un sac scellé sous vide dans un endroit frais et sec. Pour conserver le jerky pendant plus d'un mois, conservez-le au réfrigérateur ou au congélateur.

# Astuces Déshydrateur

## Séchage Des Fruits

1. Lavez soigneusement les fruits à l'eau froide pour préserver leur fraîcheur.
2. Les fruits avec une peau devront avoir la peau perforée pour permettre à l'humidité de s'échapper. Vous pouvez percer la peau en la coupant en deux, en la tranchant, en la piquant ou en la blanchissant (en la plongeant dans de l'eau bouillante juste assez longtemps pour fendre la peau).
3. Placez les fruits coupés qui ont tendance à brunir dans de l'acide asorbique ou un mélange de jus de citron et d'eau dans un rapport 1:1. Le jus d'ananas peut être utilisé à la place du jus de citron.
4. Placez les fruits en une seule couche. Pas de chevauchement.
5. Reportez-vous au tableau des directives de séchage des fruits à la page 19 pour les temps de séchage.
6. Les fruits séchés doivent être conservés dans un récipient scellé ou un sac ou une boîte scellés sous vide. Conserver dans un endroit frais et sec, de préférence en dessous de 60°F, à l'abri de la lumière directe. Ne stockez pas les fruits dans des récipients en métal car cela pourrait leur donner une saveur désagréable.

## Séchage Des Herbes

1. Lavez les herbes à l'eau froide pour enlever toute saleté.
2. Séchez-les légèrement et placez-les sur les plateaux du déshydrateur.
3. Les temps de séchage des herbes varient de 1 à 8 heures en fonction de l'épaisseur, de la quantité et du réglage de la température.
4. Les herbes sont considérées comme sèches lorsqu'elles s'effritent facilement.
5. Une fois que les herbes sont séchées à votre goût, laissez refroidir pendant 30 minutes.
6. Conservez les herbes séchées dans un récipient hermétique et étanche à l'humidité ou dans un sac scellé sous vide. L'exposition à l'air et à la lumière entraînera une perte de saveur. Conserver dans un endroit frais et sec, de préférence en dessous de 60 ° F.

### SUGGESTIONS DE TEMPÉRATURE:

Herbes	95-120°F
Légumes	120-130°F
Fruits	130-140°F
Viande, Poisson	145-160°F

# Astuces Déshydrateur

## Séchage Des Légumes

1. Lavez soigneusement vos légumes pour enlever toute saleté. Épluchez les légumes, si vous le souhaitez, et coupez-les en tranches égales pour qu'ils sèchent à la même vitesse.
2. Un prétraitement est nécessaire pour tous les légumes afin de neutraliser leurs enzymes naturelles. Plus précisément, le blanchiment à la vapeur est la méthode préférée.
3. Porter à ébullition une grande casserole remplie à 75 % d'eau. Placez vos légumes dans une passoire ou un panier et placez-les soigneusement dans la casserole en vous assurant qu'il y a un petit espace pour que la vapeur puisse entrer et couvrez avec un couvercle. Voir le tableau des directives de séchage des légumes à la page 20.
4. Lorsque vous avez fini de blanchir, placez les légumes dans de l'eau froide pour les refroidir.
5. Retirez les légumes de l'eau et essuyez-les.
6. Placez-les en une seule couche sur les plateaux du déshydrateur en vous assurant qu'ils ne se touchent pas ou ne se chevauchent pas.
7. Pour déterminer si vos légumes ont fini de sécher, sortez quelques morceaux de différents plateaux dans le déshydrateur. Si vous ne pouvez pas casser le légume en deux sans effort, remettez-le plus longtemps dans le déshydrateur. Répétez le processus jusqu'à la fin.
8. Une fois les légumes séchés à votre goût, laissez refroidir 30 minutes.
9. Conserver dans un récipient scellé ou un sac scellé sous vide dans un endroit frais et sec à l'abri de la lumière directe, de préférence en dessous de 60 ° F.

## Conseils D'Entretien Et De

1. Avant le nettoyage, le déshydrateur doit être débranché de l'alimentation électrique et refroidi à fond.
2. Utilisez un chiffon doux et humide pour essuyer l'intérieur du déshydrateur. N'utilisez PAS de tampons à récurer métalliques, de nettoyeurs abrasifs ou de produits chimiques agressifs pour nettoyer votre déshydrateur car ils pourraient endommager l'appareil. **NE JAMAIS IMMERGER LA BASE DANS L'EAU OU TOUT AUTRE LIQUIDE.**
3. La feuille de filet, le bac d'égouttage et les plateaux de séchage doivent être lavés à l'eau tiède savonneuse, rincés et séchés soigneusement. Ne pas tremper avec du détergent ou des nettoyeurs similaires. Les plateaux de séchage peuvent être lavés sur le panier supérieur du lave-vaisselle. **NE LAVEZ PAS la feuille de filet ou le bac d'égouttement au lave-vaisselle.**
4. Avant de ranger le déshydrateur, assurez-vous que toutes les pièces sont complètement refroidies, propres et sèches.

# Guide De Séchage Des Fruits

Humidité, température, teneur en humidité des aliments et épaisseur de tranches auront un impact sur les temps de séchage. Les temps de séchage indiqués ne sont qu'indicatifs.

**\*Prétraitement - Utilisez de l'acide ascorbique ou un mélange de jus de citron pour empêcher les fruits de brunir.**

Fruit	Préparation	*Prétraitement Nécessaire	Temps De Séchage Moyen
Pommes	Pelez si nécessaire. Enlevez le noyau et coupez en tranches de 1/8 de po à 1/4 de po d'épaisseur.	Oui	2-9 heures
Poires	Pelez, enlevez le noyau et coupez en tranches de 1/8 de po.	Oui	5-13 heures
Bananes	Pelez et coupez en tranches de 1/4 de pouce à 3/8 de po.	Oui	6-8 heures
Myrtilles	Enlevez la tige. Mettez-les dans de l'eau bouillante pendant 40 à 60 secondes. Mettre dans de l'eau glacée pour que la peau se craquellé.	Non	9-17 heures
Cerises	Enlevez le noyau et la tige. Coupez, hachez ou laissez en entier.	Non	15-23 heures
Canneberges	Enlevez la tige. Mettez-les dans de l'eau bouillante pendant 40 à 60 secondes. Mettre dans de l'eau glacée pour que la peau se craquellé.	Non	10-18 heures
Figues	Couper en deux ou laisser entier. Si entier, percer la peau ou blanchir..	Non	8-15 heures
Raisins	Couper en deux ou laisser entier. Si entier, percer la peau ou blanchir.	Non	13-21 heures
Kiwi	Pelez et coupez en tranches de 1/4 de po à 1/2 de po d'épaisseur.	Non	2-6 heures
Nectarines	Coupez et retirez le noyau. Coupez en quatre ou en tranches de 3/8 de po d'épaisseur.	Oui	5-10 heures (tranches) 8-16 heures (moitiés ou quarts)
Pêches	Peler si nécessaire. Coupez et retirez le noyau. Couper en quatre morceaux ou trancher à 3/8 de pouce.	Oui	4-10 heures (tranches) 8-16 heures (moitiés ou quarts)
Poires	Pelez, enlevez le noyau et coupez en tranches de 1/8 de po.	Oui	5-13 heures
Ananas	Pelez, enlevez le noyau et coupez en tranches de 3/8 de po.	Non	4-12 heures
Pruneaux/ Prunes	Coupez en quatre ou en deux morceaux et retirez le noyau.	Non	8-15 heures
Rhubarbe	Taillez et jetez les feuilles. Coupez en tranches de 1/8 de po.	Non	4-9 heures
Fraises	Enlevez la partie supérieure. Coupez une tranche de 3/8 de po d'épaisseur.	Non	4-12 heures

# Guide De Séchage Des Légumes

Humidité, température, teneur en humidité des aliments et épaisseur de tranches auront un impact sur les temps de séchage. Les temps de séchage indiqués ne sont qu'indicatifs.

**\*Prétraitement - Suivez les instructions de blanchiment à la page 18.**

Légume	Préparation	Temps De Blanchiment À la Vapeur	Temps De Séchage Moyen
Asperges	Coupez en morceaux de 3/4 de po à 1 po.	3-5 minutes	4-8 heures
Betteraves	Faites cuire jusqu'à ce qu'ils soient tendres, épluchez-les et coupez-les en lanières de 1/4 de po d'épaisseur.	S. O.	2-7 heures
Brocoli	Coupez en morceaux de 1/2 de po à 1 po.	2-2½ minutes	2-8 heures
Carottes	Pelez et coupez chaque bout, coupez en dés en tranches de 1/4 de po.	2-2½ minutes	2-8 heures
Chou-fleur	Coupez en morceaux de 1/2 de po à 1 po.	3-6 minutes	3-8 heures
Céleri	Découpez les bords. Coupez en tranches de 3/8 de po.	3 minutes	3-5 heures
Maïs	Coupez le maïs de l'épi et blanchissez-le.	1-1½ minutes	5-11 heures
Haricots verts/Jaunes	Enlevez les bouts et les ficelles. Coupez en morceaux de 3/4 de po à 1 po.	3-3½ minutes	4-11 heures
Champignons	Nettoyez et coupez en tranches de 1/2 de po d'épaisseur.	S. O.	3-7 heures
Oignons	Pelez la peau extérieure. Coupez le dessus et les extrémités. Coupez en tranches de 3/8 de po.	S.O.	3-7 heures
Pois	Enlever les pois de coquille.	4 minutes	3-9 heures
Poivrons et piments	Enlever le noyau, la tige et les cloisons intérieures coupées en bandes de 1/8 de po.	S.O.	4-10 heures
Pommes de terre	Pelez et coupez en tranches de 1/8 de po.	5-9 minutes	2-8 heures
Tomates	Pelez, si nécessaire. Coupez en tranches de 1/2 de po de large.	S. O.	4-11 heures
Courges d'été et courgettes	Coupez les bouts. Coupez en 3/8 de po de large.	3½-4 minutes	2-6 heures

# Garantie Limitée D'Un An

La Metal Ware Corporation garantit à l'acheteur d'origine que votre produit sera exempt de défauts de matériaux et de fabrication pendant une période d'un an à compter de la date d'achat. Le produit doit être utilisé pour un usage personnel ou domestique unique conformément aux instructions. Si votre produit s'avère défectueux dans l'année suivant la date d'achat, contactez notre service client au 1-800-288-4545 ou envoyez un e-mail à nescocs@nesco.com avec une explication de la réclamation. Si une réclamation de garantie viable est déterminée, un membre du service client vous fournira les détails nécessaires pour faire remplacer votre appareil. En vertu de cette garantie à durée limitée, nous nous engageons à remplacer toutes les pièces jugées défectueuses à notre seule discrétion. Cette garantie à durée limitée est annulée si l'appareil est connecté à une alimentation électrique inappropriée ou démonté ou perturbé de quelque manière que ce soit ou endommagé par une mauvaise utilisation. Cette garantie n'est pas transférable.

LIMITATION DES RECOURS ET DES DOMMAGES : À l'exception de la garantie à durée limitée et des recours expressément indiqué ci-dessus, Metal Ware Corp ne sera pas responsable envers vous, ou envers toute personne réclamant par vous ou par votre intermédiaire, pour toute obligation ou responsabilité, y compris, mais sans s'y limiter, les obligations ou responsabilités découlant d'une rupture de contrat, d'une rupture de garantie, réclamations légales, négligence ou autre délit ou toute théorie de responsabilité stricte, en ce qui concerne le produit ou les actes ou omissions de Metal Ware Corp ou autres. L'acheteur convient qu'en aucun cas Metal Ware Corp ne sera responsable des dommages accessoires, compensatoires, punitifs, consécutifs, indirects, spéciaux ou autres. La garantie ne couvre pas les dommages indirects ou accessoires tels que les dommages matériels et ne couvre pas les frais et dépenses accessoires résultant de toute violation de cette garantie, même prévisible. Certains états ou provinces n'autorisent pas l'exclusion ou les limitations des dommages accessoires ou consécutifs, de sorte que la limitation ou l'exclusion ci-dessus peut ne pas s'appliquer à vous selon l'état ou la province d'achat.

Enregistrez votre produit sur notre site Web :

<https://www.nesco.com/customer-service/warranty-registration>  
ou remplissez votre carte de garantie et renvoyez-la sous une semaine  
à partir de la date d'achat avec une copie de la preuve d'achat.

Envoyer la carte de garantie à :

**The Metal Ware Corp**

**FD-7SSD Série / Déshydrateur Numérique En Acier Inoxydable À 7 Plateaux**

**PO Box 237**

**Two Rivers, WI 54241-0237**

**USA**



# THANK YOU FOR CHOOSING NESCO®

We ensure 100% customer satisfaction and have a full-time, knowledgeable staff ready to assist you. Please email our customer service department at [nescocs@nesco.com](mailto:nescocs@nesco.com) or call 1-800-288-4545.

For more products or recipes, visit [nesco.com](http://nesco.com).



Follow us on



300-09793 (9/19) © 2022 The Metal Ware Corp

All Rights reserved, including the right of reproduction in whole or part.  
Tous droits réservés, y compris le droit de reproduction en totalité ou en partie.