

High Speed Roaster

Care/Use Guide

Torréfacteur à Grande Vitesse

Guide d'entretien et d'utilisation



NESCO®

Your Key Ingredient™

NESCO®

Your Key Ingredient™

TABLE OF CONTENTS/TABLE DES MATIÈRES

IMPORTANT SAFEGUARDS	3-4	OPERATION	11-12
SAVE THESE INSTRUCTIONS	4	ESTIMATED COOKING SETTINGS	13
INTRO & OVERVIEW	5	CARE AND CLEANING INSTRUCTIONS	14
PARTS	6	STORAGE & DISPOSAL	14
CONTROL PANEL FUNCTIONS	7	IMPORTANT GUIDELINES	15
BEFORE FIRST USE	8	TROUBLESHOOTING	16-17
COOKING RACK ASSEMBLY OPTIONS	9	LIMITED ONE YEAR WARRANTY	18
PREPARATION INSTRUCTIONS	10		

IMPORTANTES MESURES	19-20	MODE D'EMPLOI	27-28
CONSERVER CES DIRECTIVES	20	RÉGLAGES DE CUISSON ESTIMÉS	29
INTRO & VUE	21	CONSEILS D'ENTRETIEN ET DE	
PIÈCES	22	NETTOYAGE	30
FONCTIONS PANNEAU DE	23	STOCKAGE ET ÉLIMINATION	30
CARACTÉRISTIQUES DE LA		IMPORTANTES MESURES	31
RÔTISSOIRE (SUITE)	24	DÉPANNAGE	32-33
AVANT LA PREMIÈRE UTILISATION	24	GARANTIE LIMITÉE D'UN AN	34
PIÈCES ASSEMBLAGE	25	NOTES/REMA	35
PRÉPARATION INSTRUCTIONS	26		

TECHNICAL SPECIFICATIONS

Specification / Caractéristiques: 1420W, 120 VAC, 60Hz

For ITR and HSR Series Roasters / Pour les torréfacteurs des séries ITR et HSR

"NESCO®" is a registered trademark of
The Metal Ware Corp

"NESCO®" est une marque de commerce enregistrée
de la société The Metal Ware Corp

The Metal Ware Corp
1700 Monroe St., P.O. Box 237
Two Rivers, WI 54241-0237
Phone: 1-(800) 288-4545



POUR LES ACCESSOIRES ET
LES PRODUITS SUPPLÉMENTAIRES
FOR ACCESSORIES AND
ADDITIONAL PRODUCTS
nescocom

IMPORTANT SAFEGUARDS

- This product is designed for household use only -

When using electrical appliances, basic safety precautions should always be followed, including the following:

1. **READ ALL INSTRUCTIONS.**
2. Do not touch hot surfaces. Use handles or knobs.
3. To protect against electrical shock and personal injury, do not immerse this appliance, including cord and plug, in water or other liquid.
4. This appliance is not a toy. Close supervision is necessary when any appliance is used by or near children. Store this appliance in a safe place, out of the reach of children.
5. Unplug from outlet when not in use and before cleaning. Allow to cool before putting on or taking off parts.
6. Do not operate any appliance with a damaged cord or plug or after the appliance malfunctions or has been damaged in any manner. To avoid hazards, return appliance to NESCO® Factory Service Department for examination, repair or adjustment.
7. Do not attempt to repair the appliance.
8. Do not use any accessory attachments not recommended by the appliance manufacturer as they may cause injuries and void the warranty.
9. Always place the appliance on a firm and stable surface. Make sure the surface is clean and dry.
10. Do not use this appliance on wet or hot surfaces or near any heat sources.
11. Do not place on or near a hot gas or electric burner, or in a heated oven.
12. Do not use outdoors.
13. To disconnect the appliance, push the power button to turn the unit 'OFF', then remove plug from wall outlet.
14. Do not use appliance for other than intended use.
15. Do not operate unattended.
16. Do not clean with metal scouring pads. Pieces can break off the pad and touch electrical parts, creating a risk of electric shock.
17. Oversize foods, metal foil packages, or utensils must not be inserted in the roaster as they may involve a risk of fire or electric shock.
18. This appliance is not intended for use by children or persons with reduced physical, sensory or mental capabilities, or lack of experience and knowledge, unless they have been given supervision or instruction concerning use of the appliance by a person responsible for their safety.
19. Do not let cord hang over edge of table or counter, touch hot surfaces and never pull on the cord.
20. Before plugging the appliance in or operating, make sure your hands are dry. Do not operate the appliance if the cord or plug is wet.
21. A fire may occur if the roaster is covered or touching flammable material, including curtains, draperies, walls, and the like, when in operation.

IMPORTANT SAFEGUARDS

22. When disconnecting, to avoid any injury, unplug by grasping the plug, not cord.
23. Extreme caution must be used when moving an appliance containing hot liquids.
24. The inner heating elements become VERY HOT during use. Never touch the inner heating elements until the appliance is in operation. ALWAYS allow the appliance to cool down completely before cleaning.

SAVE THESE INSTRUCTIONS

Polarized Plug: This appliance has a polarized plug (one blade is wider than the other). To reduce risk of electric shock, plug is intended to fit into polarized outlet only one way. If the plug does not fit fully into the outlet, reverse the plug. If it still does not fit, contact a qualified electrician. Do not try to modify the plug in any way.

Short Cord Instructions: A short power supply cord is provided to reduce the risk resulting from becoming entangled in or tripping over a longer cord. Extension cords may be used if care is exercised in their use. If an extension cord is used, the marked electrical rating of the cord should be at least as great as the electrical rating of the appliance. The longer cord should be arranged so that it will not drape over the tabletop where it can be pulled on by children or tripped over unintentionally.

INTRO & OVERVIEW

Welcome to the exciting world of convenient, oil-free vertical roasting. The NESCO® High Speed Roaster is the ideal appliance for saving time in the kitchen and offers the user a 'second' oven allowing for additional cooking options. This High Speed Roaster is perfect to have around during the holidays or any time of year as it can cook more than just a turkey.

The innovative Circle Of Heat™ Technology uses vertical heating elements to cook inside and out, maintaining the moisture on the inside while searing the skin on the outside. The outer heating elements rotate heat around the meat, while the center heating element cooks meats from the inside out. These special features provide perfect, even cooking throughout while enabling the meat to be cooked faster than in a conventional oven.

The easy-to-read control panel has an adjustable digital timer as well as a built in 120-minute default setting. The pre-set high/low heat selection function takes the guesswork out of finding the optimal cooking temperature. Illuminated lights indicate when the heating elements are on and cycling.

Removable and dishwasher safe, the cooking stand drip tray collects all unwanted drippings and the interior surface is easy to clean making clean-up quick and minimal. This upright roaster is light-weight, includes side handles for safe handling and has a glass cover for convenient viewing during use. The compact design offers the room needed to prepare delicious meals.

With just a touch of a button, the NESCO® High Speed Roaster provides the most convenient and mess-free way to cook poultry and meat, allowing you to cook comfortably and enjoy more time with your family outside of the kitchen.

This instruction manual will help ensure maximum performance and product life while you enjoy using your new High Speed Roaster. Please read the entire manual before using your product for the first time. Keep this manual as a reference and save for future use.

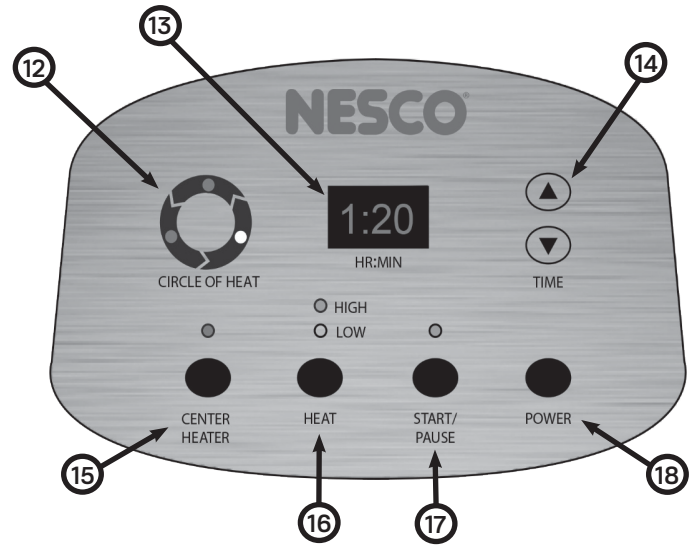
PARTS



- (1) Cover Handle
- (2) Glass Viewing Cover
- (3) Side Handles
- (4) Main Body
- (5) Base
- (6) Control Panel
- (7) Top Rack
- (8) Drip Tray
- (9) Heating Element Cover
- (10) Bottom Rack
- (11) Rack Remover

FOR MISSING OR REPLACEMENT PARTS, PLEASE CALL 1-800-288-4545.
DO NOT RETURN TO STORE

CONTROL PANEL FUNCTIONS



- 12. **Outer Heat Elements Cycle Indicator** - Indicates which elements are working.
- 13. **Digital Display (HR:MIN)** - Displays remaining cooking time in hours and minutes.
- 14. **Time Adjustment** - Timer range: 0 to 4:00 hours Max.
- 15. **Center Heat Element Selection Button** - Turns center element on and off.
- 16. **Heat Selection Button** - Default Low Heat: 300°F / Default High Heat: 500°F
- 17. **Cooking Cycle Start/Pause Button** - Starts and pauses the cooking cycle.
- 18. **Power Button** - Turns the appliance on and off.

ROASTER FEATURES

Circle of Heat central heating element cooks from inside out, while 3 heat elements revolve heat to cook from the outside in.

- Even cooking throughout the meat
- Fast—most can be cooked in less than 2 hours.
- Seals in the juices.

ROASTER FEATURES (CONTINUED)

120 minute default cooking program for a 16-18 lb. bird.

- Default settings: High Heat, Center Element ON, Time: 2 hours
- Specific temperature of thawed food may vary cooking cycle times.

When the default cooking cycle expires, the Digital Display will beep twice, return to the default cooking cycle time and display "02:00". The heating elements will turn off automatically. Power will remain on.

Maximum cooking time is 04:00 hours.

Time on the Digital Display increases and decreases in "minute" increments.

Removable parts are dishwasher safe (except Main Body).

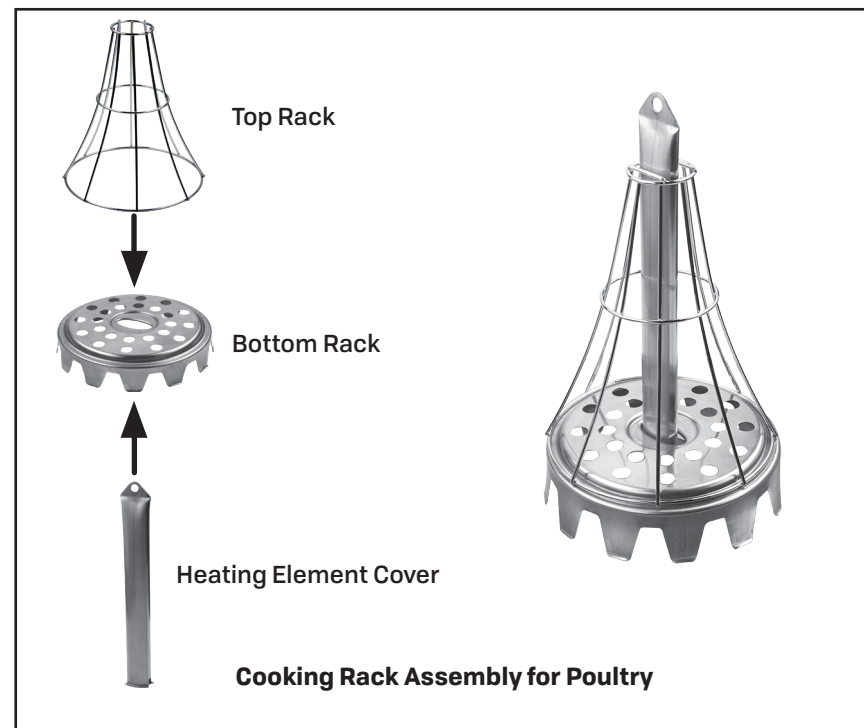
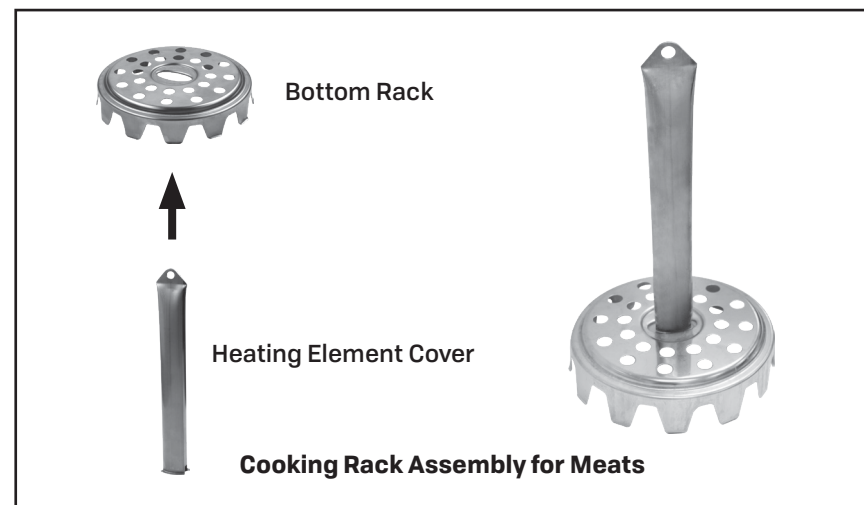
BEFORE FIRST USE

1. Unpack the appliance and remove all packaging and accessories, including the Glass Cover. Wash and wipe the accessories and set aside.
 2. **It is normal for some smoke and odor to occur from the appliance when using it for the first time. This is not harmful. We recommend to "SMOKE OUT" the appliance for 15 minutes, using the roaster on default setting (HIGH) in a well ventilated area. (garage, carport, etc.)**
- Keep the Glass Cover and accessories off of the unit while operating during the "SMOKE OUT" session.**
3. Once the roaster is prepared for indoor usage, wipe the inside and outside of the roaster with a sponge or damp cloth and dry thoroughly.

NEVER IMMERSE THE APPLIANCE IN WATER.

Save the packaging for transporting or storage of the appliance when not in use.

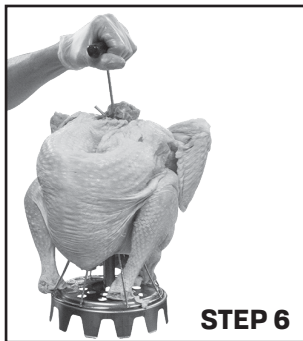
COOKING RACK ASSEMBLY OPTIONS



PREPARATION INSTRUCTIONS

Preparing Poultry:

1. **Thoroughly thaw the poultry before cooking.**
2. Remove the giblets from the poultry. Rinse and pat dry the poultry. Season as desired.
3. Spray the surfaces of the cooking stand assembly with spray-on cooking oil.
4. Pull the poultry open and position it over the Top Rack. Ensure that the drumsticks hang downwards to the side of the Top Rack.
5. The Heating Element Cover end should come through the neck of the poultry as much as possible.
6. Using the Rack Remover, insert the hook into the hole at the end of the Heating Element Cover to lift the food.



Preparing Meats:

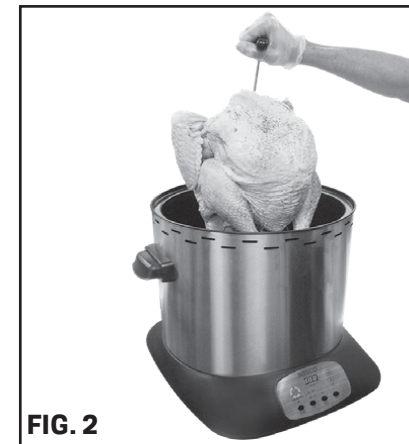
1. **Thoroughly thaw the meat before cooking.**
2. Place the meat (roast) on a cutting board or knife friendly surface. Using a knife, carefully cut an X-shaped slit through the center of the roast, ensuring that the opening is large enough for the Heating Element Cover to fit through. Season as desired.
3. Spray the surface of cooking stand assembly with spray-on cooking oil.
4. Position the meat over Heating Element Cover. If the length of the roast isn't the same size as the Heating Element Cover, leave the meat positioned near the top instead of near the bottom end of the Center Heating Element.

OPERATION

1. Place the appliance on a flat, heat resistant surface.
2. Remove the Glass Cover and position the Drip Tray over the heating element and lower it into position inside the Main Body until resting on bottom surface. **(FIG. 1)**



3. Using the Rack Remover, insert the hook into the hole of Heating Element Cover. Lift and place the prepared poultry or meat over the Drip Tray Handle and Center Heater and lower into position. Always unhook and remove the Rack Remover before cooking. **(FIG.2)**



4. Place the Glass Cover into position on the Main Body.

OPERATION

5. Plug the power cord into a polarized 120 Volt A.C. electrical outlet. If the plug does not fit try reversing the plug. If it still does not fit, consult a qualified electrician.
6. Press the 'POWER' button. The Control Panel will be lit showing default settings. (Default settings: High Heat, Center Heating ON, Time 2:00 hours).
7. Press the "▲" or "▼" keypad to increase or decrease cooking time in "minute" increments. Maximum cooking time is 4:00 hours.
8. Press the "HEAT" button to select "HIGH" or "LOW" heat settings. On HIGH setting two of the outside heaters are active at all time. On LOW setting only one heater is active at all times.
9. Press "START/PAUSE" button to begin cooking. The Digital Display will begin to countdown and show the time remaining. The 'Circle of Heat' will show which heating elements are active and will rotate around the food.
10. When the cooking cycle has finished, the roaster will beep twice and the Digital Display will show "02:00" and the heating elements will turn off automatically.
⚠ CAUTION: The Glass Cover will become very hot during use. Always handle with care and use oven pads or mitts. The cooking process creates steam that can cause burns.
11. Use a hot pad or oven mitt to carefully lift the Glass Cover and set aside on a heat resistant surface. Tilt the Glass Cover when opening so that the steam is directed away from the face and hands.
 - To ensure that the food is cooked properly, check the internal temperature of the food periodically with a food thermometer.
12. Using the Rack Remover, insert the hook into the hole at the end of the Heating Element Cover to lift the food from the Main Body.

ESTIMATED COOKING SETTINGS

Please find the estimated settings and cooking times below:

Meat Type	Suggested Heat Setting	Recommended Internal Temperature	Estimated Cook Time
Whole Turkey 10 to 14 lbs.	HIGH	165°F	6 min/lb
Whole Turkey 14 to 18 lbs.	HIGH	165°F	6 min/lb
Whole Chicken 4-6 lbs.	HIGH	165°F	8 min/lb
Beef Roast 2 to 3 lbs.	HIGH	145°F Allow to rest for at least 3 minutes.	15 min/lb
Beef Roast 4 to 6 lbs.	HIGH	145°F Allow to rest for at least 3 minutes.	10 min/lb
BonelessPork Loin Roast 2to4lbs.	HIGH	145°F Allow to rest for at least 3 minutes.	8 min/lb

- Estimated cooking times shall be used as a reference point. Adjust estimated cooking times accordingly for desired results.
- Cooking times will be slightly longer when using the LOW Heat setting.
- Cooking times for beef will vary depending on the desired doneness of the meat. Do not use the center heating element if you want the food to be cooked "rare".
- Check the internal temperature of the food periodically with a food thermometer.
- Always reference the recommended internal temperatures of the food at the end of the cooking cycle, according to USDA Food Safety and Inspection guidelines.
- For best results, allow food to rest for 10 to 15 minutes before serving.
- A small amount of "trial and error" may occur as you perfect your cooking technique and experiment with different sizes and types of foods.
- A NOTES section has been added to this manual for documenting tips, recipes and other important cooking notes.

CARE AND CLEANING INSTRUCTIONS

- Turn off the roaster by pressing “POWER” on the Control Panel. Remove the plug from the wall outlet and allow the appliance to cool completely.
- All removable parts are dishwasher safe or may be washed by hand in hot soapy water. Rinse and dry thoroughly after washing.
- Carefully remove the Drip Tray from the Main Body and pour the drippings into a suitable container. Always clean the Drip Tray after each use.
- The Glass Cover may be cleaned with a scouring pad, along with a non-abrasive cleanser to remove burnt-on residue. Dry thoroughly.
- After a few uses the Heating Element Cover will discolor - this is normal.
- Clean the interior of Main Body and heating elements with a damp cloth or sponge to remove residue. Dry with a paper towel or soft cloth. Do not use abrasive cleaners on interior or exterior surfaces.
- When cleaning cooked-on food residue located on the interior surfaces or Glass Cover, use a brush, non-abrasive mesh pad with a dishwashing detergent and water. NEVER spray water or cleaners directly onto the interior surface of the Main Body.
- Clean the exterior surface of the Main Body with a damp cloth after each use. Dry thoroughly with a soft cloth.

DO NOT SPRAY OR IMMERSE THE MAIN BODY OF THE APPLIANCE IN WATER OR ANY OTHER LIQUID.

STORAGE & DISPOSAL

STORAGE:

- NEVER store the appliance on its side. Store the appliance on a flat, clean, cool, dry area out of the reach of children and pets.
- Always ensure that the appliance is unplugged and has cooled down completely before storing or cleaning.
- Clean with a damp cloth and mild detergent and dry thoroughly before storing.
- Save the packaging for transporting or storage of the appliance when not in use for extended periods of time.

DISPOSAL:

- This appliance may not be disposed of with ordinary household waste. Electrical and electronic waste must be disposed of properly.
- Contact your local municipal authorities for further information on product disposal.

IMPORTANT GUIDELINES

- **Thoroughly thaw all meat and poultry before cooking.**
- Cooking cycles will vary according to thickness, shape and consistency of the food. To avoid over-cooking, it is recommended that the food be checked after the minimum cook time stated in the estimated cooking settings on page 13.
- Select roasts that have even shape as they will cook in a more uniform way.
- The maximum recommended size for poultry is 18 lbs.
- Marinade, rubs, seasonings and spices should be applied to foods before loading into the roaster.
- Recommended internal temperatures for beef are: Rare 140°F; Medium Rare 145°F; Medium 160°F; Well 170°F.
- For even cooking results, center the Heating Element Cover as much as possible inside the roast. The larger end of the roast should be positioned at the top, not at the bottom.
- If the length of the roast isn't the same size as the Heating Element Cover, leave the meat positioned near the top instead of near the bottom end of the Center Heating Element.

⚠ CAUTION: Always ensure that the poultry or meat is thoroughly cooked. The drippings from the poultry should be clear when cooking cycle is complete.

- We recommend using a meat thermometer to ensure that the food is thoroughly cooked.
- Before serving, let the food rest for 10 minutes after removing it from the roaster. For a juicier poultry or roast, do not serve the food immediately after the cooking cycle has finished.
- For easier cleanup, spray the Drip Tray, Top Rack, Bottom Rack and Heating Element Cover with a spray-on cooking oil before cooking. **NEVER** spray these parts while the roaster is in operation.

TROUBLESHOOTING

The turkey does not fit in the roaster:

- Try to center the turkey as much as possible when positioning on the Top Rack.
- If necessary, tuck the wing tips under or keep the wings in place by using food safe string.
- Large birds may simply not fit. We do not recommend using this roaster for poultry over 18 lbs.

Countdown minutes will not change on display:

- The keypad may not have been pushed long enough or with enough force.
- To advance the time faster on the digital display, push and hold the “▲” time button down.

The roaster does not turn on or will not get hot:

- The POWER button must be pressed before pushing the START/PAUSE button.
- Ensure that the roaster was plugged in properly.

The roasts and poultry are not thoroughly done:

- Estimated cooking cycles shall be used as a reference point. Make sure the Timer is set up properly.
- The cooking cycles in this manual are approximate. Increase the cooking times for desired results.

The meat is done on the inside but overdone on the outside:

- Turn off the center element when cooking or switch to Low heat half way through the cooking cycle.
- Thicker meats require more cooking time at a reduced heat.

TROUBLESHOOTING

The meat sticks to the Heating Element Cover:

- Spray the Center Heating Element with spray-on cooking oil before loading the roast.
- Let the roast rest for about 10 minutes before trying to remove it from the Heating Element Cover.
- If necessary, cut the roast lengthwise down one entire side to remove the Heating Element Cover.

Liquid or drippings are collecting at the bottom of the Main Body:

- If cooked food is allowed to stand in the roaster to cool, condensation will collect and run down the interior walls into the bottom of the unit.
- Make sure the drip tray is in place and properly positioned. Clean before and after each use.
- Drippings may run down the Heating Element Cover and collect in the bottom.
- During operation, some drippings may bypass the drip tray and splatter onto the interior walls and run down into the bottom of the unit.
- Press the PAUSE button and carefully remove the cooking stand and food. Always use oven mitts or pads. Empty the Drip Tray halfway through cooking cycle if it is full or if the food being cooked has a high percentage of fat content.

Steam and/or smoke is present during operation:

- It is normal to have some smoke coming from the unit during first use. (Please refer to the Before First Use section on page 8.)
- Food residue or splatters on the interior surface may cause minimal smoke. Make sure to wipe out the interior of the roaster after every use.
- Always ensure that the food is not touching the outer heating elements. Tuck or tie the turkey wings in with food safe string so they won't touch the outer heating elements.

LIMITED ONE YEAR WARRANTY

The Metal Ware Corporation warrants the original purchaser that your product will be free from defects in material and workmanship for a period of one year from date of purchase. Product must be used for personal or sole household usage in accordance with the instructions. Should your product prove defective within one year from date of purchase, contact our customer service team at 1-800-288-4545 with an explanation of the claim. If a viable warranty claim is determined, a customer service member will provide you with the necessary details to have your unit repaired or replaced. Under this limited warranty, we undertake to repair or replace any parts found to be defective at our sole discretion. This limited warranty is void if the unit is connected to an unsuitable electrical supply or dismantled or interfered with in any way or damaged through misuse.

This warranty is not transferable. **LIMITATION OF REMEDIES AND DAMAGES:**

Except for the limited warranty and remedies expressly stated above, the Metal Ware Corp shall not be liable to you, or to anyone claiming by or through you, for any obligations or liabilities, including, but not limited to, obligations or liabilities arising out of breach of contract, breach of warranty, statutory claims, negligence or other tort or any theory of strict liability, with respect to the product or the Metal Ware Corp's acts or omissions or otherwise. Buyer agrees that in no event shall the Metal Ware Corp be liable for incidental, compensatory, punitive, consequential, indirect, special or other damages.

Warranty does not cover consequential or incidental damages such as property damage and does not cover incidental costs and expenses resulting from any breach of this warranty, even if foreseeable. Some states or provinces do not allow the exclusion or limitations of incidental or consequential damages, so the above limitation or exclusion may not apply to you depending on the State or Province of purchase.

To assure the proper handling of your warranty without delay, and to facilitate verification of the original date of purchase, we suggest that you promptly register your NESCO® product on our website:

<https://www.nesco.com/customer-service/warranty-registration>.

Or use our code:



NESCO High Speed Roaster
C/O MW
PO Box 237
Two Rivers, WI 54241-0237

IMPORTANTES MESURES

-Cet appareil est conçu pour un usage ménager seulement-

Lors de l'utilisation d'appareils électriques, des consignes de sécurité de base devraient toujours être suivies, incluant ce qui suit:

1. **Lire toutes les instructions.**
2. Ne pas toucher aux surfaces chaudes. Utilisez les poignées ou les boutons.
3. Pour se protéger contre les chocs électriques, ne pas immerger le cordon, la fiche, ou l'appareil dans l'eau ou autre liquide.
4. Cet appareil n'est pas un jouet. Une supervision étroite est nécessaire lorsque tout appareil est utilisé par ou près des enfants. Ranger cet appareil dans un endroit sécuritaire, hors de la portée des enfants.
5. Débrancher de la prise lorsque non utilisé et avant de nettoyer. Laisser refroidir avant de mettre ou d'enlever des pièces.
6. Ne pas faire fonctionner aucun appareil avec un cordon ou une fiche endommagée ou après un mauvais fonctionnement ou si l'appareil a été endommagé ou semble être endommagé de quelque façon que ce soit. Retourner l'appareil à NESCO® Factory Service Department pour examen, réparation ou ajustement.
7. Ne pas tenter de réparer l'appareil.
8. Ne pas utiliser des accessoires non recommandés par le fabricant de l'appareil puisqu'ils peuvent causer des blessures et annuler la garantie.
9. Toujours placer l'appareil sur une surface ferme et stable. S'assurer que la surface est propre et sèche.
10. Ne pas utiliser cet appareil sur des surfaces chaudes ou humides ou près de toutes sources de chaleur.
11. Ne pas placer l'appareil sur ou près d'un brûleur à gaz ou électrique chaud, ou un four chaud.
12. Ne pas utiliser à l'extérieur.
13. Pour débrancher l'appareil tourner toute commande à « OFF », puis enlever la fiche de la prise murale.
14. Ne pas utiliser l'appareil pour un usage autre que celui prévu.
15. Ne pas utiliser sans surveillance.
16. Ne pas nettoyer avec des tampons à récurer métalliques. Des morceaux peuvent s'échapper du tampon et toucher les pièces électriques, créant un risque de choc électrique.
17. Les aliments trop gros, les emballages en aluminium ou les ustensiles ne doivent pas être insérés dans la rôtissoire puisqu'ils peuvent causer un risque d'incendie ou de choc électrique.
18. Cet appareil n'est pas prévu pour être utilisé par des personnes (incluant les enfants) avec des capacités physiques, sensorielles ou mentales réduites, ou un manque d'expérience et de connaissances, à moins qu'elles aient eu une supervision ou des instructions concernant l'utilisation de cet appareil par une personne responsable pour leur sécurité.

IMPORTANTES MESURES

19. Ne pas laisser le cordon pendre par-dessus la table ou le comptoir, toucher des surfaces chaudes et ne jamais tirer sur le cordon.
20. Avant de brancher l'appareil ou de faire fonctionner, s'assurer que vos mains sont propres et sèches pour ce faire. Ne pas faire fonctionner l'appareil si le cordon ou la fiche est humide.
21. Un incendie peut se produire si la rôtissoire est recouverte ou touche des matières inflammables incluant les rideaux, les draperies, les murs, et similaires, lorsqu'en fonctionnement.
22. Pour débrancher, pour éviter toutes blessures, débrancher en saisissant la fiche, et non le cordon.
23. Une prudence extrême doit être exercée lors du déplacement d'un appareil contenant de l'huile chaude ou autres liquides chauds.
24. Les éléments chauffants internes deviennent TRÈS CHAUDS durant l'utilisation. NE JAMAIS toucher aux éléments chauffants internes tandis que l'appareil est en utilisation. TOUJOURS laisser l'appareil refroidir complètement avant de nettoyer.

CONSERVER CES DIRECTIVES

Fiche polarisée : Cet appareil a une fiche polarisée (une lame est plus large que l'autre). Pour réduire le risque de choc électrique, la fiche est prévue pour entrer la prise polarisée seulement d'une façon. Si la fiche n'entre pas complètement dans la prise, inverser la fiche. Si elle n'entre toujours pas, contacter un électricien qualifié. Ne pas tenter de modifier la fiche d'aucune façon.

Cordon court Instructions : Un cordon d'alimentation court est fourni pour réduire le risque causé par un cordon qui devient entremêlé ou de trébucher sur un cordon plus long. Des rallonges peuvent être utilisées avec une attention particulière lors de leur usage. Si une rallonge est utilisée, les caractéristiques électriques indiquées pour le cordon devraient être au moins aussi grandes que les caractéristiques électriques de l'appareil. Le cordon plus long devrait être positionné de sorte qu'il ne drapera pas sur le dessus de la table où il peut être tiré par des enfants ou faire trébucher involontairement.

INTRO & VUE

Bienvenue dans le monde excitant de la rôtisserie verticale pratique et sans huile. Torrificateur à Grande Vitesse NESCO® est l'appareil idéal pour sauver du temps dans la cuisine et elle offre à l'utilisateur un « second » four permettant des options de cuisson supplémentaires. La rôtissoire verticale est parfaite durant les fêtes ou en tout temps de l'année puisqu'elle peut cuire plus que seulement une dinde.

La technologie novatrice Circle Of Heat™ Technology utilise des éléments de chauffage verticaux pour cuire une dinde à l'intérieur et à l'extérieur, maintenant l'humidité à l'intérieur tout en grillant la peau à l'extérieur. Les éléments chauffants extérieurs fait pivoter la chaleur autour de la dinde, tandis que l'élément chauffant du centre cuit de l'intérieur vers l'extérieur. Ces caractéristiques spéciales offrent une cuisson parfaite et uniforme tout en permettant à la volaille d'être cuite plus rapidement que dans un four conventionnel.

Avec suffisamment d'espace pour les besoins de cuisson, cette rôtissoire sans huile et facile à utiliser peut cuire une volaille jusqu'à 18-lb. en deux heures. Le panneau de commande facile à lire a une minuterie numérique ajustable de même qu'un programme automatique intégré pour dinde de 120 minutes. La fonction de sélection de chaleur élevée/basse pré-réglée empêche de spéculer au sujet de la température de cuisson optimale. Des voyants lumineux indiquent lorsque les éléments chauffants sont actifs ainsi que leurs cycles.

Le ramasse-gouttes du support de cuisson qui est amovible et qui va au lave-vaisselle collecte tous les jus de cuisson non désirés de la dinde et la surface intérieure est anti-adhérente rendant le nettoyage rapide et minimal. Cette rôtissoire verticale est légère, inclut des poignées latérales pour une manipulation sécuritaire et a un couvercle en verre pour un regard pratique durant l'utilisation. La couleur et le fini en acier inoxydable sont une combinaison classique qui accentuera votre comptoir de cuisine parfaitement et le design compact offre l'espace requis pour préparer de délicieux repas.

À la seule touche d'un bouton, Torrificateur à Grande Vitesse NESCO® offre la façon la plus pratique et sans dégât de cuire de la volaille et des viandes, vous permettant de cuisiner confortablement et de profiter de plus de temps avec votre famille en dehors de la cuisine. Ce manuel d'instruction aidera à assurer une performance et une durée de vie maximales tandis que vous profitez ce votre nouvelle rôtissoire verticale. Veuillez lire le manuel au complet avant d'utiliser votre produit pour la première fois. Conserver ce manuel comme référence pour utilisation ultérieure.

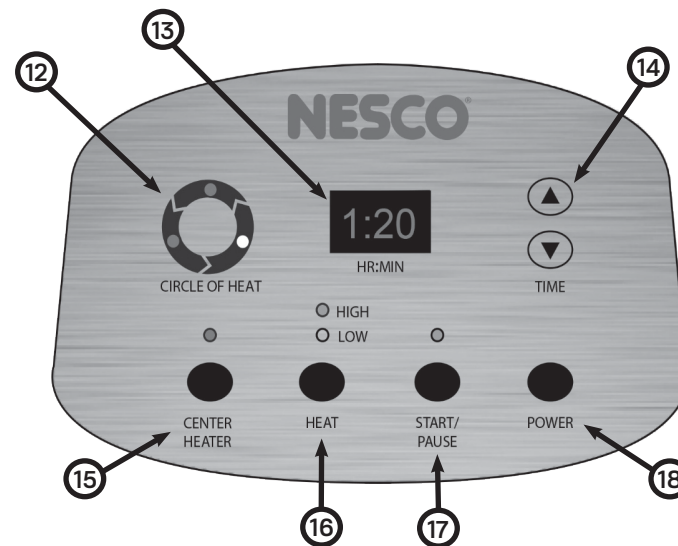
PIÈCES



- | | |
|----------------------------------|-----------------------------------|
| (1) Poignée du couvercle | (6) Panneau de commande |
| (2) Couvercle de regard en verre | (7) Grille supérieure |
| (3) Poignées latérales | (8) Ramasse-gouttes |
| (4) Partie principale | (9) Couvercle d'élément chauffant |
| (5) Base | (10) Grille inférieure |
| | (11) Enlève-grille |

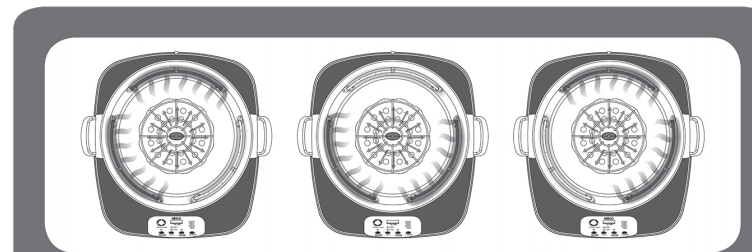
POUR LES PIÈCES MANQUANTES OU DE REMPLACEMENT, VEUILLEZ Z APPELER AU 1-800-288-4545. NE PAS RETOURNER AU MAGASIN.

FONCTIONS PANNEAU DE



12. **Indicateur de cycle des éléments chauffants** - Indique quels éléments sont en fonction.
13. **Affichage numérique (HR:MIN)** - Affiche le temps de cuisson restant en heures et en minutes.
14. **Ajustement de l'heure** - Plage de la minuterie : 0 à 4:00 heures Max.
15. **Bouton de sélection de l'élément chauffant du centre** - Active et désactive l'élément du centre.
16. **Bouton de sélection de chaleur** - Chaleur basse par défaut :300 °F / Chaleur élevée par défaut :500 °F
17. **Bouton de départ/pause du cycle de cuisson** - Démarre et arrête le cycle de cuisson.
18. **Bouton d'alimentation** - Met en marche et arrête l'appareil.

CARACTÉRISTIQUES DE LA RÔTISSOIRE



- Circle of Heat l'élément chauffant central
- Cuit de l'intérieur à l'extérieur, tandis que 3 cycles d'élément chauffant cuisent de l'extérieur à l'intérieur.
 - Ce cycle de chauffage novateur offre un rôti doré uniforme.
 - Fast-an 18 lb. turkey can be cooked in less than 2 hours.

CARACTÉRISTIQUES DE LA RÔTISSOIRE (SUITE)

Programme de cuisson de dinde par défaut de 120 minutes pour une volaille de 16-18 lb.

- Réglages par défaut : Chaleur élevée, élément du centre ON, Durée: 2 heures
- La température de décongélation des aliments peut faire varier les durées de cycle de cuisson.

Lorsque le cycle de cuisson par défaut expire, l'affichage numérique émettra deux bips, reviendra à la durée du cycle de cuisson par défaut et affichera « 02:00 ». Les éléments chauffants s'arrêteront automatiquement. L'alimentation restera en marche.

Le temps de cuisson maximal est de 04:00 heures.

Le temps sur l'affichage numérique augmentera et diminuera par incréments d'une minute.

- Les pièces amovibles sont sécuritaires dans le lave-vaisselle (excepté la partie principale).

AVANT LA PREMIÈRE UTILISATION

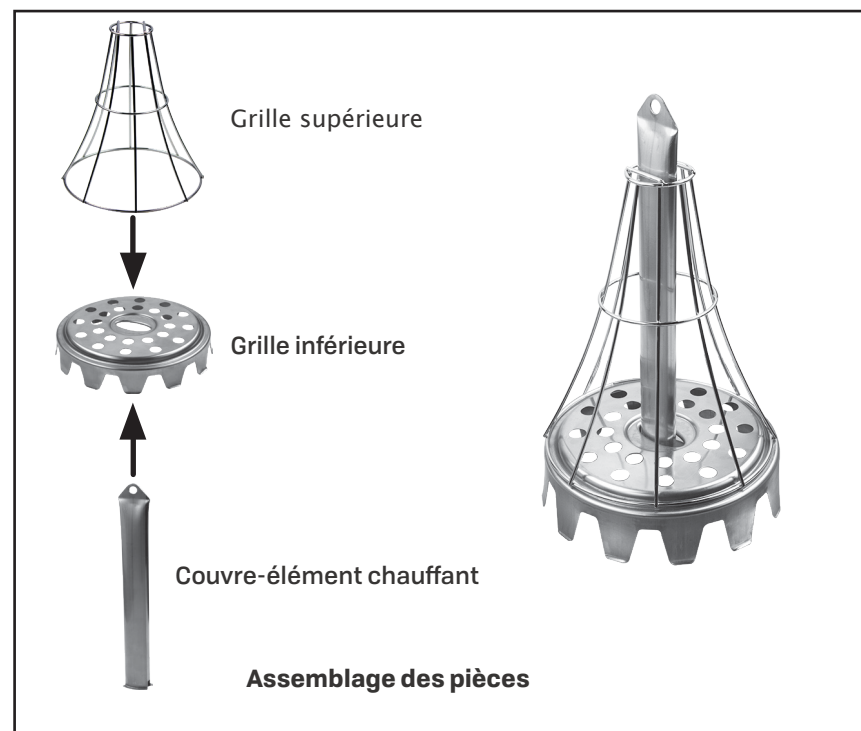
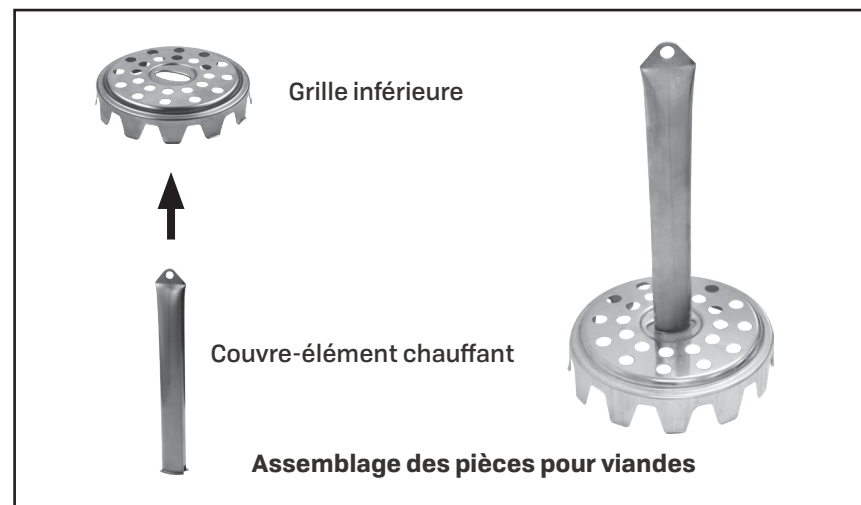
1. Déballez l'appareil et enlevez tout l'emballage et accessoires, incluant le couvercle en verre. Lavez et essuyez les accessoires et mettez de côté.
2. **Il est normal que de la fumée et une odeur émanent de l'appareil lors de sa première utilisation. Ceci n'est pas nocif. Nous recommandons de laisser sortir la fumée de l'appareil pendant 15 minutes, en utilisant le réglage par défaut (HIGH) dans un endroit bien ventilé. (garage, abri pour voiture, etc.) Garder le couvercle en verre et les accessoires hors de l'unité lors de la sortie de fumée.**

3. Lorsque la rôtissoire est préparée pour une utilisation intérieure, essuyez l'intérieur et l'extérieur avec une éponge ou un chiffon humide et séchez à fond.

NE JAMAIS IMMERGER L'APPAREIL DANS L'EAU.

Conservez l'emballage pour le transport ou le rangement de l'appareil lorsque non utilisé.

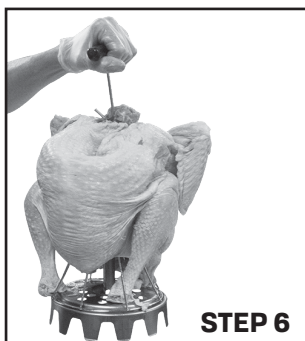
PIÈCES ASSEMBLAGE



PRÉPARATION INSTRUCTIONS

Préparer la volaille:

1. **Décongeler complètement la volaille avant la cuisson.**
2. Enlever les abats de la volaille. Rincer et tapoter pour assécher la volaille. Assaisonner tel que désiré.
3. Vaporiser les surfaces de l'ensemble du support de cuisson avec de l'huile de cuisson à vaporiser.
4. Ouvrez la volaille et positionnez-la sur la Grille supérieure. S'assurer que les pilons pendent vers le bas sur le côté de la Grille supérieure.
5. L'extrémité du Couver-élément chauffant devrait passer à travers le cou autant que possible.
6. À l'aide de l'enlève-grille, insérer le crochet dans le trou à l'extrémité du Couver-élément chauffant pour soulever les aliments.



Préparer les viandes:

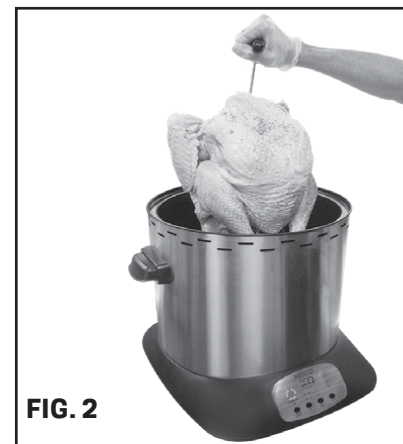
1. **Décongeler complètement la viande avant la cuisson.**
2. Placer la viande (rôti) sur une planche à découper ou une surface pour la viande. À l'aide d'un couteau, couper une incision en forme de X à travers le centre du rôti, en s'assurant que l'ouverture est assez grande pour que le couvre-élément chauffant passe à travers. Assaisonner tel que désiré.
3. Vaporiser les surfaces de l'ensemble du support de cuisson avec de l'huile de cuisson à vaporiser.
4. Positionner la viande sur le couver-élément chauffant. Si la longueur du rôti n'est pas la même longueur que le couver-élément chauffant, veuillez la viande près du haut et non près de l'extrémité du bas de l'élément chauffant du centre.

MODE D'EMPLOI

1. Placer l'appareil sur une surface plate et résistante à la chaleur.
2. Enlever le couvercle en verre et positionner le ramasse-gouttes sur l'élément chauffant et l'abaisser en position à l'intérieur de la partie principale jusqu'à ce qu'il repose sur la surface du bas. (FIG. 1)



3. À l'aide de l'enlève-grille, insérer le crochet dans le trou à l'extrémité du Couver-élément chauffant. Soulever et placer la volaille ou la viande préparée par-dessus la poignée du ramasse-gouttes et de l'élément chauffant du centre et abaisser en place. Toujours décrocher l'enlève-grille avant la cuisson. (FIG.2)



4. Placer le couvercle en verre en position sur la partie principale.

MODE D'EMPLOI

5. Brancher le cordon d'alimentation dans une prise électrique polarisée de 120 Volt CA. Si la fiche n'entre pas complètement dans la prise, inverser la fiche. Si elle n'entre toujours pas, contacter un électricien qualifié.
 6. Appuyer le bouton « POWER ». Le panneau de commande s'allumera et affichera les réglages par défaut. (Réglages par défaut : Chaleur élevée, élément du centre ON, Durée 2:00 heures).
 7. Appuyer la touche « ▲ » ou « ▼ » pour augmenter ou diminuer le temps de cuisson en incréments d'une minute. Le temps de cuisson maximal est de 04:00 heures.
 8. Appuyez le bouton « HEAT » pour sélectionner les réglages de chaleur « HIGH » ou « LOW ». Au réglage HIGH deux des éléments chauffants extérieurs sont active en tout temps. Au réglage LOW seulement un élément chauffant est actif en tout temps.
 9. Appuyez le bouton « START/PAUSE » pour commencer la cuisson. L'affichage numérique commencera le compte à rebours et affichera le temps restant. Le « Circle of Heat » affichera quels éléments chauffants sont actifs et tourneront autour des aliments.
 10. Lorsque le cycle de cuisson est terminé, la rôtissoire émettra deux bips et l'affichage numérique affichera « 02:00 » et les éléments chauffants s'éteindront automatiquement.
- ⚠ PRUDENCE:** Le couvercle en verre deviendra très chaud durant l'utilisation. Toujours manipuler avec soin et utiliser des mitaines de four. Le processus de cuisson crée de la vapeur qui peut causer des brûlures.
11. Utiliser des mitaines de four pour soulever soigneusement le couvercle en verre et le mettre de côté sur une surface résistante à la chaleur. Incliner le couvercle de verre lors de l'ouverture afin que la vapeur soit dirigée loin du visage et des mains.
- Pour s'assurer que les aliments sont cuits correctement, vérifier périodiquement la température interne des aliments avec un thermomètre pour aliments.
12. À l'aide de l'enlève-grille, insérer le crochet dans le trou à l'extrémité du Couvercle chauffant pour soulever les aliments de la partie principale.

RÉGLAGES DE CUISSON ESTIMÉS

Veillez trouver les réglages estimés et les temps de cuisson ci-dessous:

Type de viande	Réglage de chaleur suggéré	Température interne recommandée	Temps de cuisson estimé
Dinde complète 10 à 14 lb	ÉLEVÉ	165 °F	6 min/lb
Dinde complète 14 à 18 lb	ÉLEVÉ	165 °F	6 min/lb
Poulet complet 4-6 lb.	ÉLEVÉ	165 °F	8 min/lb
Rôti de boeuf 2 à 3 lb	ÉLEVÉ	145 °F	15 min/lb
Rôti de boeuf 4 à 6 lb	ÉLEVÉ	145°F Laisser reposer pour au moins 3 minutes.	10 min/lb
Rôti delongede porc désossé	ÉLEVÉ	145°F Laisser reposer pour au moins 3 minutes.	8 min/lb

- Les temps de cuisson estimés seront utilisés comme point de référence. Ajuster les temps de cuisson estimés selon les résultats désirés.
- Les temps de cuisson selon légèrement plus longs lorsque le réglage de chaleur LOW est utilisé.
- Les temps de cuisson pour le boeuf varieront selon la cuisson désirée de la viande. Ne pas utiliser l'élément de chauffage du centre si vous voulez une cuisson saignante.
- Vérifier périodiquement la température interne des aliments avec un thermomètre pour aliments.
- Toujours consulter les températures internes recommandées des aliments à la fin du cycle de cuisson, selon les directives du USDFA Food Safety and Inspection.
- Pour de meilleurs résultats, laisser les aliments reposer pendant 10 à 15 minutes avant de servir.
- Un peu d'essais et erreurs peuvent se produire lorsque vous perfectionnez votre technique de cuisson et expérimentez avec différentes grosseurs et différents types d'aliments.
- Une section REMARQUES a été ajoutée à ce manuel pour documenter les conseils, les recettes et autres remarques importantes de cuisson.

CONSEILS D'ENTRETIEN ET DE NETTOYAGE

- Fermer la rôtissoire en appuyant « POWER » sur le panneau de commande. Enlever la fiche de la prise murale et laisser l'appareil refroidir complètement.
- Toutes les pièces amovibles vont au lave-vaisselle ou peuvent être lavées à la main dans de l'eau chaude savonneuse. Rincer et sécher complètement après avoir lavé.
- Enlever soigneusement le ramasse-gouttes et la partie principale et verser les jus de cuisson dans un contenant approprié. Toujours nettoyer le ramasse-gouttes après chaque utilisation.
- Le couvercle en verre peut être nettoyé avec un tampon à récurer et un nettoyant non abrasif pour enlever les résidus de cuisson. Sécher à fond.
- Après quelques utilisations le couvre-élément chauffant se décolore - ceci est normal.
- Nettoyer l'intérieur de la partie principale et les éléments chauffants avec un chiffon ou une éponge humide pour enlever tous résidus. Sécher avec un papier essuie-tout ou un chiffon doux. Ne pas utiliser des nettoyants abrasifs sur l'intérieur ou l'extérieur des surfaces.
- Lors du nettoyage des résidus de cuisson situés sur les surfaces intérieures ou le couvercle en verre, utiliser une brosse, un tampon non abrasif avec un détergent de vaisselle et de l'eau. NE JAMAIS vaporiser de l'eau ou des nettoyants sur la surface intérieure de la partie principale.
- Nettoyer la surface extérieure de la partie principale avec un chiffon humide après chaque utilisation. Sécher à fond avec un chiffon doux.

NE PAS VAPORISER OU IMMERGER LA PARTIE PRINCIPALE DE L'APPAREIL DANS L'EAU OU TOUT AUTRE LIQUIDE.

STOCKAGE ET ÉLIMINATION

STOCKAGE :

- NE JAMAIS stocker l'appareil sur le côté. Stocker l'appareil sur une surface plate, froide, et sèche hors de la portée des enfants et des animaux.
- Toujours s'assurer que l'appareil est débranché et qu'il a eu le temps de refroidir complètement avant de le ranger ou de le nettoyer.
- Nettoyer avec un chiffon humide et un détergent doux et sécher à fond avant d'entreposer.
- Conserver l'emballage pour transporter ou ranger l'appareil lorsque non utilisé pour des périodes prolongées de temps.

ÉLIMINATION :

- Cet appareil ne doit pas être éliminé de la même façon que les ordures ménagères ordinaires. Les déchets électriques et électroniques doivent être éliminés correctement.
- Contactez vos autorités municipales locales pour plus d'information sur l'élimination des produits.

IMPORTANTES MESURES

- Décongeler complètement la viande et la volaille avant la cuisson.
- Les cycles de cuisson varieront selon l'épaisseur, la forme et la consistance de l'aliment. Pour éviter une sur cuisson, il est recommandé de vérifier les aliments après le temps de cuisson minimal indiqué dans les réglages de cuisson estimés à la page 29.
- Sélectionnez des rôtis qui ont une forme uniforme puisqu'ils cuiront de façon plus uniforme.
- La grosseur maximale recommandée pour une volaille est de 18 lb.
- La marinade, les assaisonnements et les épices devraient être appliqués aux aliments avant de mettre dans la rôtissoire.
- Les températures internes recommandées pour le boeuf sont : Saignant 140 °F; Médium saignant 145 °F; Médium 160 °F; Bien cuit 170 °F.
- Pour des résultats de cuisson uniforme, centrer le couvre-élément chauffant autant que possible à l'intérieur du rôti. La plus grosse extrémité du rôti devrait être en haut et non en bas.
- Si la longueur du rôti n'est pas la même longueur que le couvre-élément chauffant, veuillez laisser la viande près du haut et non près de l'extrémité du bas de l'élément chauffant du centre.

⚠ PRUDENCE: Toujours s'assurer que la volaille ou la viande est complètement cuite. Les jus de cuisson de la volaille devraient être clairs lorsque le cycle de cuisson est complété.

- Nous recommandons d'utiliser un thermomètre à viande pour s'assurer que la viande est complètement cuite.
- Avant de servir, laisser reposer pendant 10 minutes après avoir enlevé de la rôtissoire. Pour une volaille ou un rôti plus juteux, ne pas servir immédiatement après la fin du cycle de cuisson.
- Pour un nettoyage plus facile, vaporiser le ramasse-gouttes, la grille supérieure, la grille inférieure et le couvre-élément chauffant avec de l'huile de cuisson avant la cuisson. NE JAMAIS vaporiser ces pièces tandis que la rôtissoire est en marche.

DÉPANNAGE

La dinde n'entre pas dans la rôtière:

- Essayer de centrer la dinde autant que possible lors du positionnement sur la grille supérieure.
- Si nécessaire, rentrer les bouts des ailes derrière le cou garder les ailes de la dinde en place en utilisant de la ficelle pour aliments.
- Les grosses volailles peuvent tout simplement ne pas entrer. Nous ne recommandons pas d'utiliser cette rôtière pour des volailles de plus de 18 lb.

Le compte à rebours ne change pas sur l'affichage:

- La touche peut ne pas avoir été appuyée assez longtemps ou avec assez de force.
- Pour avancer le temps plus rapidement sur l'affichage numérique, pousser et tenir enfoncé le bouton de temps « ▲ ».

La rôtière ne se met pas en marche ou ne chauffe pas:

- Le bouton POWER doit être appuyé avant de pousser le bouton START/PAUSE.
- S'assurer que la rôtière est bien branchée.

Les rôtis et les volailles ne sont pas complètement cuits:

- Les cycles de cuisson estimés seront utilisés comme point de référence. S'assurer que la minuterie est réglée correctement.
- Les cycles de cuisson dans ce manuel sont approximatifs. Augmenter les temps de cuisson selon les résultats désirés.

La viande est bien cuite à l'intérieur mais trop cuite à l'extérieur:

- Fermer l'élément du centre lors de la cuisson ou passer à chaleur basse au milieu du cycle de cuisson
- Les viandes plus épaisses exigent un temps de cuisson plus long à une chaleur réduite.

DÉPANNAGE

La viande colle sur le couvre-élément chauffant:

- Vaporiser l'élément chauffant du centre avec de l'huile de cuisson à vaporiser avant de mettre le rôti.
- Laisser le rôti reposer pendant environ 10 minutes avant d'essayer de l'enlever du couvre-élément chauffant.
- Si nécessaire, couper le rôti sur la longueur sur un côté en entier pour enlever le couvre-élément chauffant.

Du liquide ou des jus de cuisson se ramassent au bas de la partie principale:

- Si les aliments cuits restent trop longtemps dans la rôtière pour refroidir, la condensation s'accumulera et coulera le long des murs intérieurs dans le bas de l'unité.
- S'assurer que le ramasse-gouttes est en place et correctement positionné. Nettoyer avant et après chaque utilisation.
- Les jus de cuisson peuvent couler le long du couvre-élément chauffant et se ramasser dans le fond.
- Durant le fonctionnement, certains jus de cuisson peuvent tomber à côté du ramasse-gouttes et éclabousser sur les murs intérieurs et couler dans le bas de l'unité.
- Appuyer le bouton PAUSE et enlever soigneusement le support de cuisson et les aliments. Toujours utiliser des mitaines de four. Vider le ramasse-gouttes au milieu du cycle de cuisson s'il est plein ou si les aliments qui cuisent ont un haut pourcentage de teneur en gras.

De la vapeur et/ou de la fumée est présente durant le fonctionnement:

- Il est normal d'avoir de la fumée qui émane de l'unité durant la première utilisation. (Veuillez consulter la section Avant la première utilisation à la page 24.)
- Des résidus d'aliments ou des éclaboussures sur la surface intérieure peuvent causer un peu de fumée. S'assurer d'essuyer l'intérieur de la rôtière après chaque utilisation.
- Toujours s'assurer que les aliments ne touchent pas aux éléments chauffants extérieurs. Rentrer ou ficeler les ailes de dinde avec de la ficelle alimentaire afin qu'elles ne touchent pas aux éléments chauffants extérieurs.

GARANTIE LIMITÉE D'UN AN

La Metal Ware Corporation garantit à l'acheteur d'origine que votre produit sera exempt de défauts de matériaux et de fabrication pendant une période d'un an à compter de la date d'achat. Le produit doit être utilisé pour un usage domestique personnel ou exclusif conformément aux instructions. Si votre produit s'avère défectueux dans un délai d'un an à compter de la date d'achat, contactez notre service à la clientèle au 1-800-288-4545 avec une explication de la réclamation. Si une réclamation de garantie viable est déterminée, un membre du service client fournira les détails nécessaires pour réparer ou remplacer votre appareil. Dans le cadre de cette garantie limitée, nous nous engageons à réparer ou à remplacer toute pièce jugée défectueuse à notre seule discrétion. Cette garantie limitée est nulle si l'appareil est connecté à une alimentation électrique incorrecte ou démontée ou autrement modifié ou endommagé par une mauvaise utilisation. Cette garantie n'est pas transférable. LIMITATION DES RECOURS ET DOMMAGES: À l'exception de la garantie limitée et des recours expressément indiqués ci-dessus, Metal Ware Corp ne sera pas responsable envers vous, ni envers quiconque réclamant par vous ou par votre intermédiaire, toute obligation ou responsabilité, y compris, mais sans s'y limiter, les obligations ou responsabilités découlant d'une rupture de contrat, d'une rupture de garantie, de réclamations légales, d'une négligence ou d'un autre délit, ou de toute théorie de responsabilité stricte, en ce qui concerne le produit ou les actes ou omissions de Metal Ware Corp ou autrement. L'Acheteur accepte que Metal Ware Corp ne sera en aucun cas responsable des dommages accessoires, compensatoires, punitifs, consécutifs, indirects, spéciaux ou autres. La garantie ne couvre pas les dommages indirects ou accessoires tels que les dommages matériels et ne couvre pas les frais et dépenses accessoires résultant de toute violation de cette garantie, même si elle est prévisible. Certains états n'autorisent pas l'exclusion ou la limitation des dommages accessoires ou indirects, de sorte que la limitation ou l'exclusion ci-dessus peut ne pas s'appliquer à vous selon l'état ou la province d'achat.

Afin de garantir le traitement correct de votre garantie sans délai et de faciliter la vérification de la date d'achat initial, nous vous proposons d'enregistrer rapidement votre produit NESCO® sur notre site web:

<https://www.nesco.com/customer-service/warranty-registration>.

Or utilisez notre code QR:



Torréfacteur à Grande Vitesse NESCO
C/O MW
PO Box 237
Two Rivers, WI 54241-0237
USA

NOTES/REMA

NESCO®

Your Key Ingredient™



1 - 800 - 288 - 4545

Part No. 300-01000 (6/4) ©2020 The Metal Ware Corporation
All Rights reserved, including the right of reproduction in whole or part.
Tous droits réservés, y compris le droit de reproduction en totalité ou en partie.